

# rotronic

**Datenblatt - Fiche technique - Data sheet**

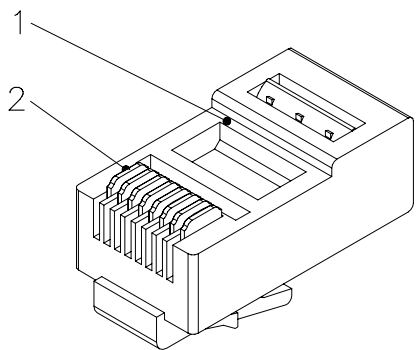
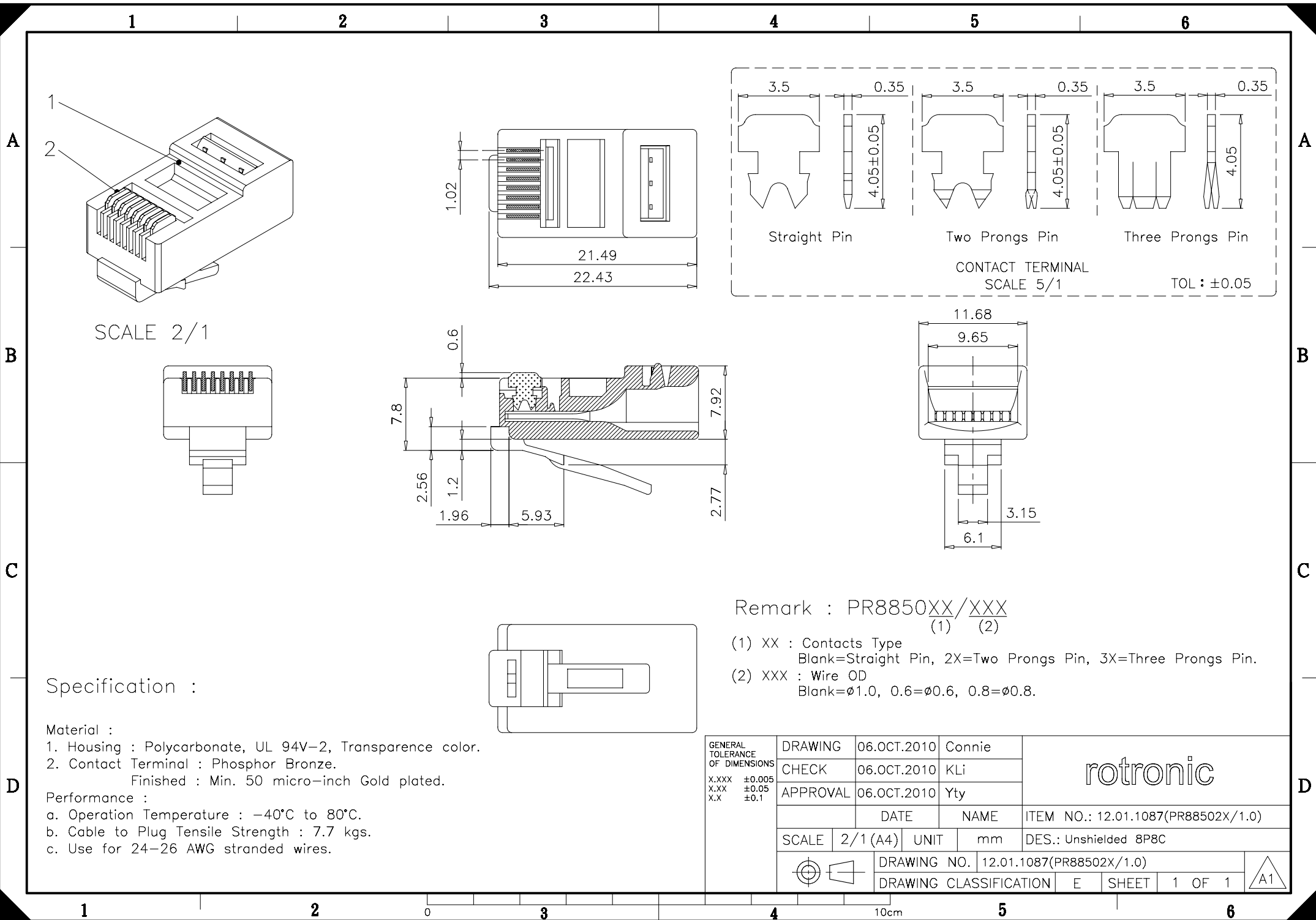
**12.01.1087**



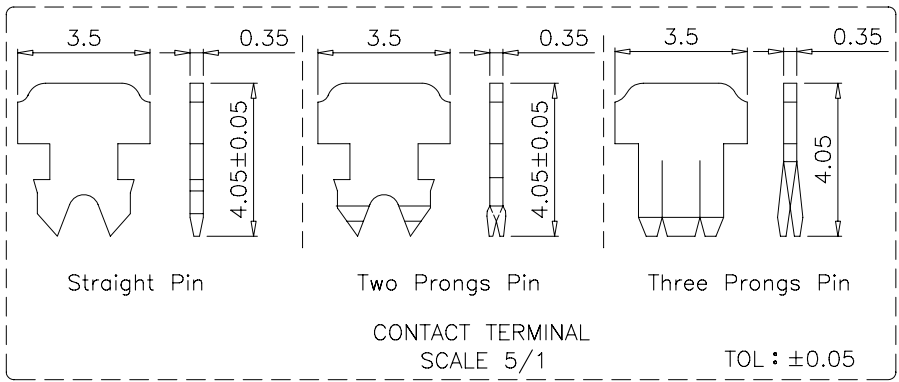
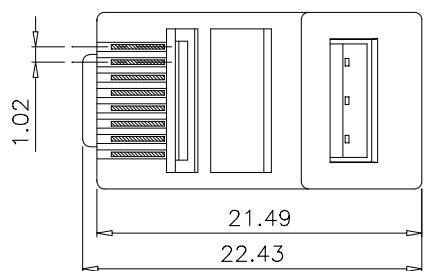
**ROLINE Modular-Plug ungeschirmt, Kat.5e, 10 Stck**

**ROLINE Connecteur modulaire non-blindé catégorie 5e,**

**ROLINE Cat.5e Modular Plug, 8p8c, unshielded,  
for Stranded Wire, 10 pcs.**

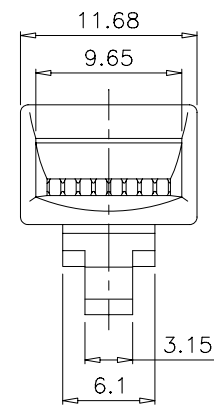
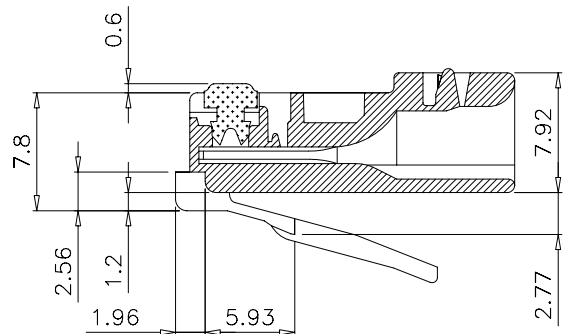
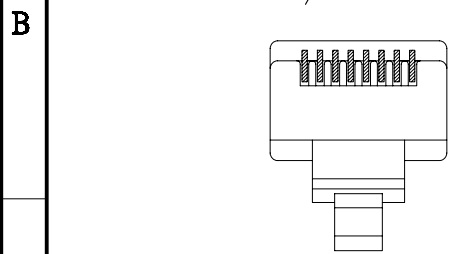


SCALE 2/1



CONTACT TERMINAL  
SCALE 5/1

TOL : ±0.05



Remark : PR8850XX/XXX  
(1) (2)

- (1) XX : Contacts Type  
Blank=Straight Pin, 2X=Two Prongs Pin, 3X=Three Prongs Pin.
- (2) XXX : Wire OD  
Blank=∅1.0, 0.6=∅0.6, 0.8=∅0.8.

Specification :

- Material :
1. Housing : Polycarbonate, UL 94V-2, Transparence color.
  2. Contact Terminal : Phosphor Bronze.  
Finished : Min. 50 micro-inch Gold plated.
- Performance :
- a. Operation Temperature : -40°C to 80°C.
  - b. Cable to Plug Tensile Strength : 7.7 kgs.
  - c. Use for 24-26 AWG stranded wires.

GENERAL TOLERANCE OF DIMENSIONS x.xxx ±0.005 x.xx ±0.05 x.x ±0.1	DRAWING	06.OCT.2010	Connie	rotronic
	CHECK	06.OCT.2010	KLi	
	APPROVAL	06.OCT.2010	Yty	
	DATE		NAME	ITEM NO.: 12.01.1087(PR88502X/1.0)
SCALE	2/1 (A4)	UNIT	mm	DES.: Unshielded 8P8C
		DRAWING NO. 12.01.1087(PR88502X/1.0)		
		DRAWING CLASSIFICATION	E	