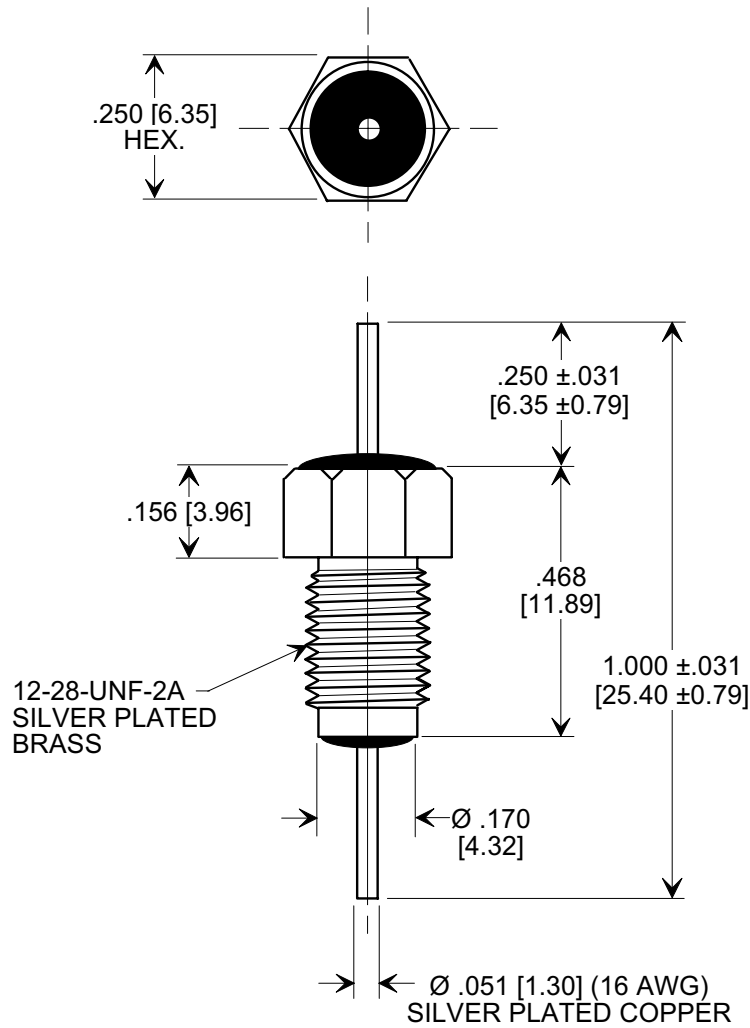
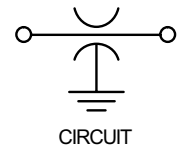
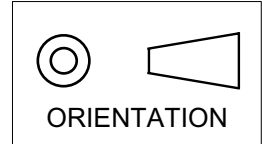


MARKETING SALES DRAWING
DIMENSIONS IN INCHES - DO NOT SCALE THIS DRAWING
DIMENSIONS IN METRIC - []

This drawing is the property of Tusonix, Inc., and may not be used, reproduced, published or disclosed to others without expressed authorization by Tusonix Inc.

**Electrical Testing
per Tusonix standard
test plans and Mil-Std-202
Test Methods.**



ORDERING INFORMATION

STYLE NO.:	2499-003
VALUE:	100 pF
VALUE TOL.:	± 10%
TEMP. COEF.:	U2M
RATING:	500 WVDC @ 85°C
OPERATING RANGE:	-55° TO +125°C
CURRENT (A):	20
I.R. MIN. @ 100 (VDC):	10 G Ω
DWV (VDC):	1500

NOTES:

- SUPPLIED WITH SILVER PLATED HEX NUT AND INTERNAL TOOTH LOCK WASHER.
- TUSONIX STANDARD PART NUMBER: 2499-003-U2M0-101K. TUSONIX RoHS COMPLIANT PART NUMBER: 2499-003-U2M0-101K LF. CUSTOMER MUST SPECIFY STANDARD OR RoHS PART NUMBER WHEN ORDERING.
- PART MARKING: TRADEMARK, CAPACITANCE CODE & TOLERANCE CODE STAMPED ON HEX FLATS. STANDARD PART: BLACK INK. RoHS PART: GREEN INK.

X-2015 Rev-0

REVISION RECORD Original Release C.O. 20000508-5-01 ADDED & REVISED NOTES: ADDED METRIC, CURRENT, IR & DWV.S.M. 03-23-06 20060323-1-01	0	--TOLERANCES-- Unless Otherwise Specified DECIMAL ± .015 [0.38] ANGLES ±	Title BUSHING TYPE FEED-THRU CAPACITOR	
	TUSONIX TUCSON, ARIZONA		Drawn L.E. 05-09-00 Scale 3X	
		Approved T.C. 05-09-00		A 2499-003-U2M0-101 K