

Updates

	Description
09/12/08	Add product details to the leaflet.
Name: C.W	
ECN:1132	
Rev:C	

Text Pages

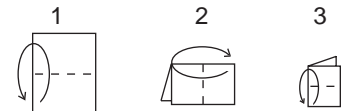
No. of Text Pages : 1  
 Print Colours : 1  
 Paper Spec : Stock White 70gsm

Finished Manual / Leaflet

Final Dimensions :

Folding Details :

- A4 (297x210mm) Single Sided
- A4 (297x210mm) Double Sided



Approvals

Manual Details

Originated	Fulleon	Part No.	25-1843-C
Checked		Description	Leaflet
Approved		Model	Askari
Date.	xx/xx/xx	Issue	C

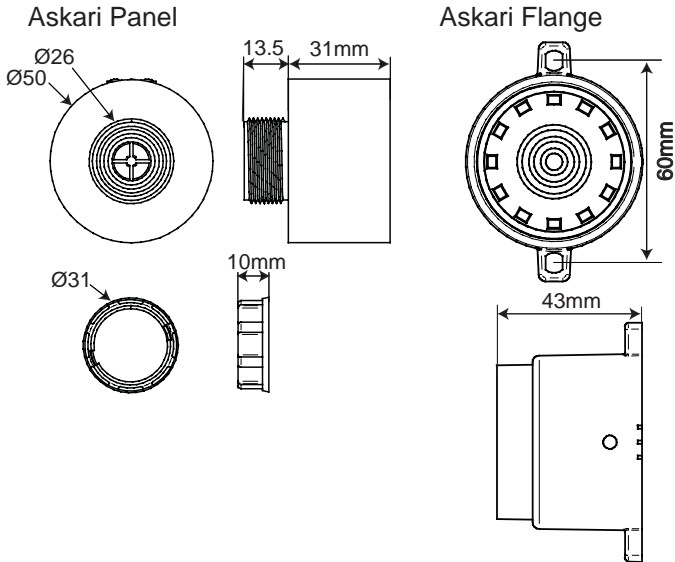


# ASKARI Panel & Flange

## Specification

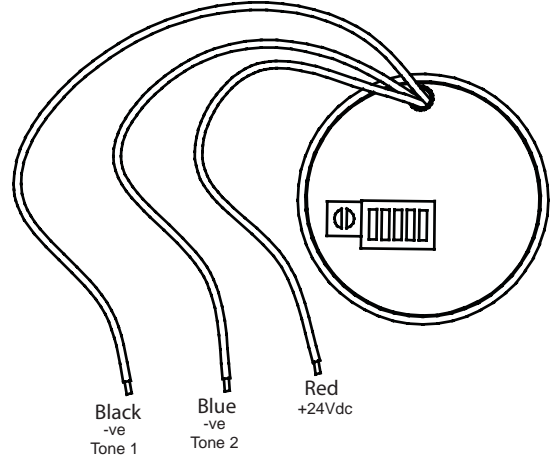
Operating Voltage	9-28Vdc
Operating Current	5-36mA
Current Consumption Nom	See Tones Table Below
Operating Temperature	-25°C - +70°C
Monitoring Mode	Reverse Polarity
Second Tone	Connect third wire to -ve
Internal Fuse	N/A
Case Material	ABS
Environment Category	Type A/B
Ingress Protection	IP65

## Dimensions



## Connection Details

- 1=Closed
- 0=Open
- Max Volume Control



## Tones table

Primary tone	Secondary tone	Switch setting	Tone Description				Main Application	Askari				
			12345	Pattern	Frequency Hz	Rate		Description	Panel		Flange	
									mA	dB(A)	mA	dB(A)
1	14	11111	Alternating	800 & 970	2Hz (250ms-250ms)		BS Fire tone	12	93	12	93	
2	14	11110	Sweep	800 to 970	7Hz (7/s)		BS Fire tone	14	97	13	92	
3	14	11101	Sweep	800 to 970	1Hz (1/s)		BS Fire tone	12	97	11	94	
4	14	11100	Continuous	2850	Steady			31	98	28	95	
5	4	11011	Sweep	2400 to 2850	7Hz			36	94	35	100	
6	4	11010	Sweep	2400 to 2850	1Hz			35	104	34	102	
7	14	11001	Slow whoop	300 to 1200	3s sweep, 0.5 s silence, then repeat		Dutch Fire tone	12	106	12	95	
8	14	11000	Sweep	1200 to 500	1Hz		Din tone	15	99	16	94	
9	4	10111	Alternating	2400 & 2850	2Hz (250ms-250ms)			29	98	31	97	
10	14	10110	Intermittent	970	0.5Hz (1s On/1s Off)			10	99	10	92	
11	14	10101	Alternating	800 & 970	1Hz (500ms-500ms)		BS Fire tone	12	93	12	92	
12	4	10100	Intermittent	2850	0.5Hz (1s On/1s Off)			20	94	19	94	
13	14	10011	Intermittent	970	0.8Hz (250ms On/1s Off)			6	92	5	92	
14	14	10010	Continuous	970	Steady		BS Fire tone	14	93	14	92	
15	14	10001	Alternating	554 & 440	100ms-400ms		French fire tone	17	98	17	94	
16	16	10000	Intermittent	660	3.3Hz (150ms On/150ms Off)		S wedish fire tone	8	95	7	92	
17	17	01111	Intermittent	660	0.28Hz (1.8s On/1.8s Off)		S wedish fire tone	8	96	8	93	
18	18	01110	Intermittent	660	0.05Hz (13s Off / 6.5Hz On)		S wedish fire tone	12	96	11	93	
19	19	01101	Continuous	660	Steady		S wedish fire tone	12	96	11	93	
20	20	01100	Alternating	554 & 440	0.5Hz (1s On/1s Off)		S wedish fire tone	16	98	16	94	
21	21	01011	Intermittent	660	1Hz (500ms-500ms)		S wedish fire tone	8	96	7	93	
22	14	01010	Intermittent	2850	4Hz (150ms On/100ms Off)		Pelican crossing	20	93	18	94	
23	14	01001	Sweep	800 to 970	50Hz		BS Fire tone	13	96	12	92	
24	4	01000	Sweep	2400 to 2850	50Hz			36	104	35	99	
25	25	00111	Intermittent	970	3 x 500ms pulses followed by 1.5s silence then repeat		ISO 8201	9	93	9	92	
26	26	00110	Intermittent	2850	3 x 500ms pulses followed by 1.5s silence then repeat		ISO 8201	7	98	7	93	
27	27	00101	Continuous	4000	Steady			8	92	8	92	
28	10	00100	Alternating	800 & 970	2Hz (250ms-250ms)		BS Fire tone	12	93	12	92	
29	33	00011	Alternating	990 & 650	2Hz (250ms-250ms) (Symphoni tones)		BS Fire tone	22	97	21	96	
30	35	00010	Alternating	510 & 610	2Hz (250ms-250ms) (Squas hni Micro tones)		BS Fire tone	16	96	18	93	
31	31	00001	Sweep	300 to 1200	1Hz			23	99	22	94	
32	32	00000	Continuous	4000	Steady			17	96	17	94	

