

MICRO 19 SPLIT CORE CTs

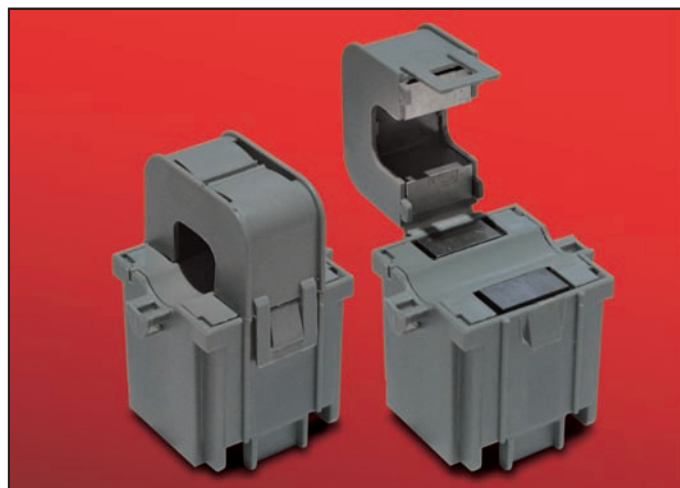
with optional plug-in short circuit link

DESCRIPTION

The "Micro 19" range of split core CTs are amongst the smallest available and can be supplied with choice of screw clamp terminals, flying leads and unique plug-in short circuit link.

APPLICATION

For installation into existing networks in complete safety. The CT will not operate until the plug-in link is removed.



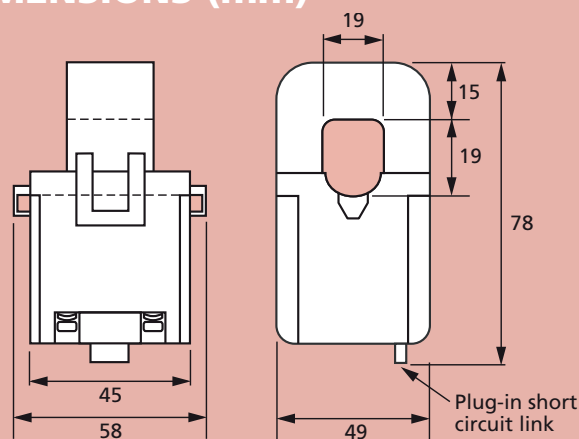
SPECIFICATIONS

- Conforms to BS EN 60044-1/IEC 60044-1
- Rated system voltage 0.72/3kV
- Ambient temperature range -30°C to 55°C
- Class 1 (phase angle < 2 degrees for 100A at 50% rated current)
- 5A and 0.333V secondary output
- VA rating: 100/150A = 0.5VA,
200A = 1VA, 250A = 2VA

Options

- M3.5 screw clamp secondary terminals
- Plug-in short circuit link
- 1 metre flying leads

DIMENSIONS (mm)



RANGE

Product Code	Ratio	OPTIONS			
		M3.5 Terminals	M3.5 Terminals + Short Circuit Link	Flying Leads	Flying Leads + Short Circuit Link
CTSCMICRO19 (5A secondary output)	-100/5	-T	-T-S	-L	-L-S
	-125/5				
	-150/5				
	-200/5				
	-250/5				
CTSCMICRO19 (0.333V secondary output)	-100/0.333	-T	Not Available	-L	Not Available
	-125/0.333				
	-150/0.333				
	-200/0.333				
	-250/0.333				

M3.5 Terminals



Plug-in Short Circuit Link



Flying Leads (1m long)



Order Example: A Micro 19 split core CT with ratio of 200/5 with M3.5 terminals and short circuit link is CTSCMICRO19-200/5-T-S

Our policy is one of continuous development and therefore specifications may change without notice.

HOWARD BUTLER LTD

CROWN WORKS, LINCOLN ROAD
WALSALL WS1 2EB ENGLAND

Tel: 01922 640003 Fax: 01922 723626

International Tel: +44 1922 640003 E-mail: sales@hobut.co.uk

<http://www.hobut.co.uk>