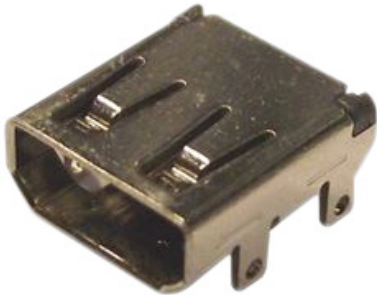


# HDMI Receptacle Type D, 0.4 Pitch, SMT

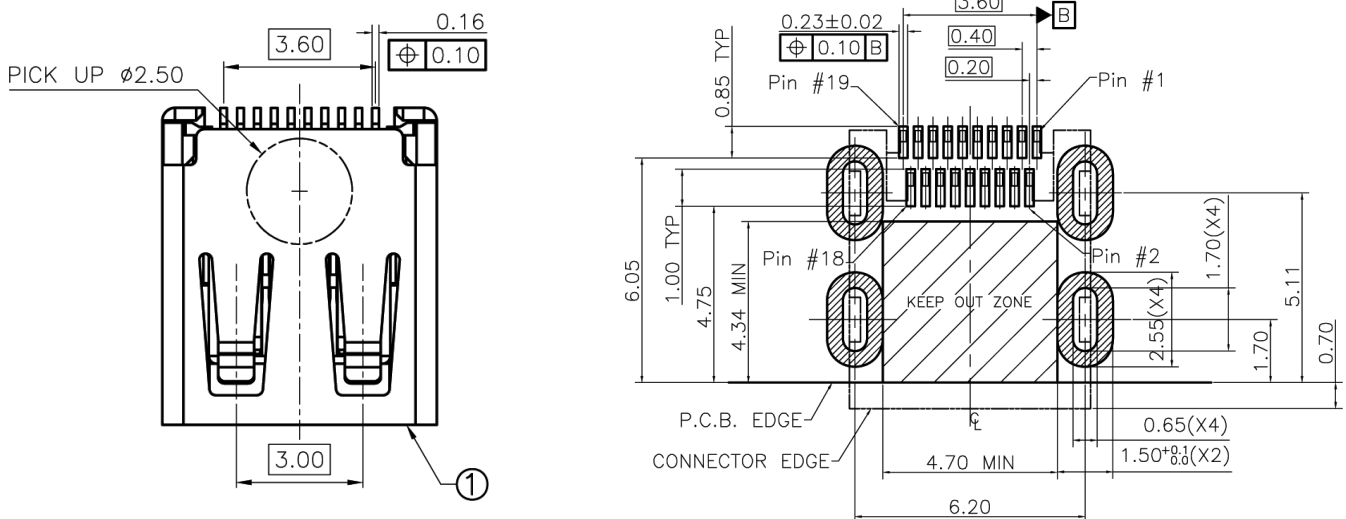


RoHS  
Compliant

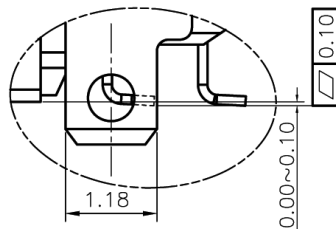


## Specifications:

Connector Type	: HDMI-D
Number of Pin	: 19
Contact & Connecting Type	: Socket
Contact Plating	: Gold Flash over Nickel
Shell Construction	: Solder tail is through hole type
Shell Plating	: Solderable Nickel Plated



RECOMMENDED P.C.B. LAYOUT (T:0.60mm)  
TOLERANCE UNSPECIFIED ±0.05mm



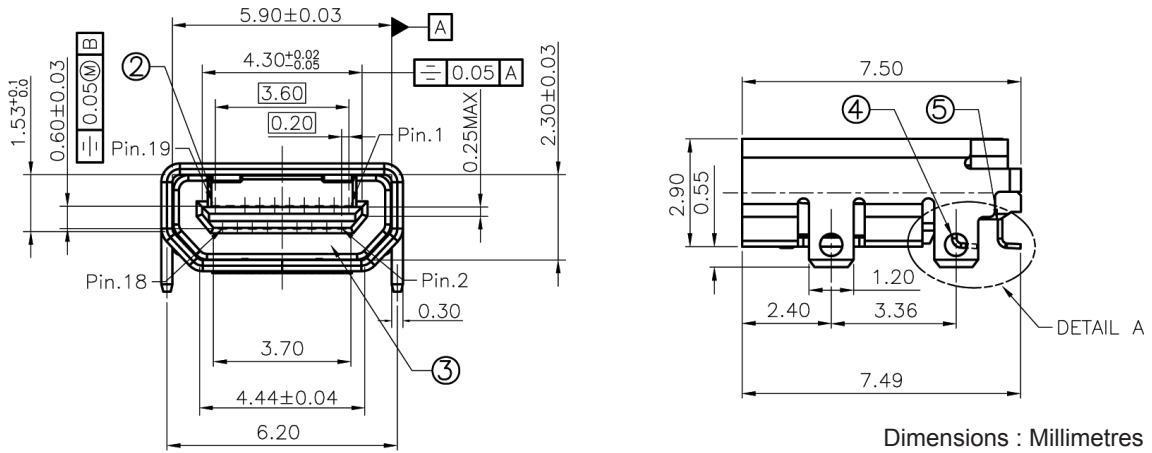
DETAIL A  
SCALE:2:1

Dimensions : Millimetres

[www.element14.com](http://www.element14.com)  
[www.farnell.com](http://www.farnell.com)  
[www.newark.com](http://www.newark.com)



# HDMI Receptacle Type D, 0.4 Pitch, SMT



Item	Part	Specification	Qty's
1	Shell	Copper Alloy	1
2	Up Insulator	Thermoplastic	1
3	Down Insulator	Thermoplastic	1
4	Down Contact	Copper Alloy	9
5	Up Contact	Copper Alloy	10

## Part Number Table

Description	Part Number
HDMI Receptacle; Type D, 0.4 Pitch, SMT	65U019S-340N-B-FEC

**Important Notice :** This data sheet and its contents (the "Information") belong to the members of the Premier Farnell group of companies (the "Group") or are licensed to it. No licence is granted for the use of it other than for information purposes in connection with the products to which it relates. No licence of any intellectual property rights is granted. The Information is subject to change without notice and replaces all data sheets previously supplied. The Information supplied is believed to be accurate but the Group assumes no responsibility for its accuracy or completeness, any error in or omission from it or for any use made of it. Users of this data sheet should check for themselves the Information and the suitability of the products for their purpose and not make any assumptions based on information included or omitted. Liability for loss or damage resulting from any reliance on the Information or use of it (including liability resulting from negligence or where the Group was aware of the possibility of such loss or damage arising) is excluded. This will not operate to limit or restrict the Group's liability for death or personal injury resulting from its negligence. Multicomp is the registered trademark of the Group. © Premier Farnell plc 2012.

