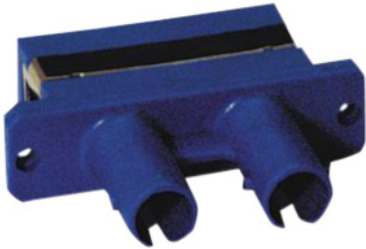


ST/SC Duplex Adapter

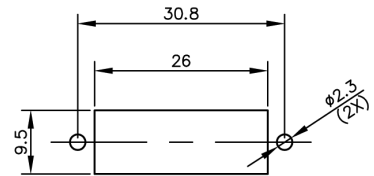
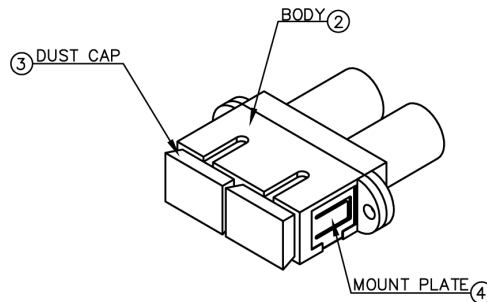
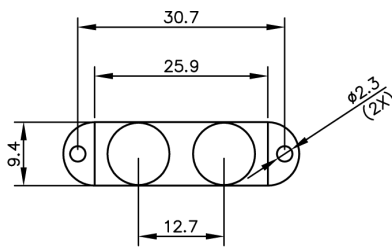
pro-SIGNAL

RoHS
Compliant

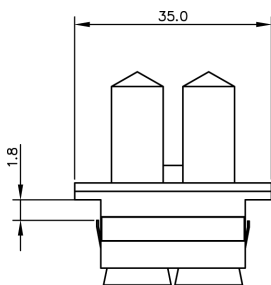


Specifications:

Wavelength	: 850nm, 1,310nm
Insertion Loss	: Ceramic <=0.15dB, Metal <=0.2dB
Retentions Force	: 200 to 600g
Durability	: 500 mating
Operating Temperature	: -40°C to 80°C



Dimensions : Millimetres



Part Number Table

Description	Sleeve	Body		Mount Plate	Dust Cap	Part Number
	Type	Type	Colour	Type	Colour	
ST/SC Duplex, Adapter	Metal	Plastic	Beige	Stainless Steel	Beige + Black	SPC22802
		Metal Housing with Nickel Plating				SPC22803
	Ceramic	Plastic	Blue			SPC22804
		Metal Housing with Nickel Plating				SPC22805

Important Notice : This data sheet and its contents (the "Information") belong to the members of the Premier Farnell group of companies (the "Group") or are licensed to it. No licence is granted for the use of it other than for information purposes in connection with the products to which it relates. No licence of any intellectual property rights is granted. The Information is subject to change without notice and replaces all data sheets previously supplied. The Information supplied is believed to be accurate but the Group assumes no responsibility for its accuracy or completeness, any error in or omission from it or for any use made of it. Users of this data sheet should check for themselves the Information and the suitability of the products for their purpose and not make any assumptions based on information included or omitted. Liability for loss or damage resulting from any reliance on the Information or use of it (including liability resulting from negligence or where the Group was aware of the possibility of such loss or damage arising) is excluded. This will not operate to limit or restrict the Group's liability for death or personal injury resulting from its negligence. pro-SIGNAL is the registered trademark of the Group. © Premier Farnell plc 2012.

www.element14.com
www.farnell.com
www.newark.com
www.cpc.co.uk

pro-SIGNAL