



## PRODUCT DATASHEET

### Lena series

last update 21/5/2014

## DETAILS

<b>Product Number</b>	C12691_LENA-STD-BASE-CLL030
<b>Family</b>	Lena
<b>Type</b>	Base part
<b>Color</b>	white
<b>Diameter</b>	58.6 mm
<b>Height</b>	12.6 mm
<b>Style</b>	round
<b>Optic Material</b>	
<b>Holder Material</b>	PC
<b>Fastening</b>	screw
<b>Status</b>	ready
<b>ROHS Compliant</b>	Yes
<b>Date Updated</b>	21/05/2014



## OPTICAL PROPERTIES

LED	Viewing Angle	Light Beam	Efficiency	cd/lm	connector
CLL03x/CLU034	N/A degrees		-	(simulated) 0.000	-

H

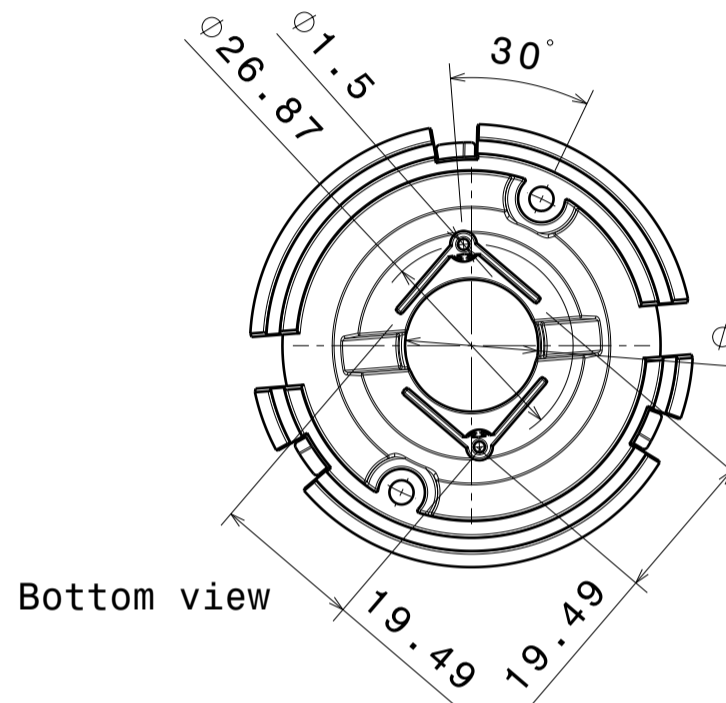
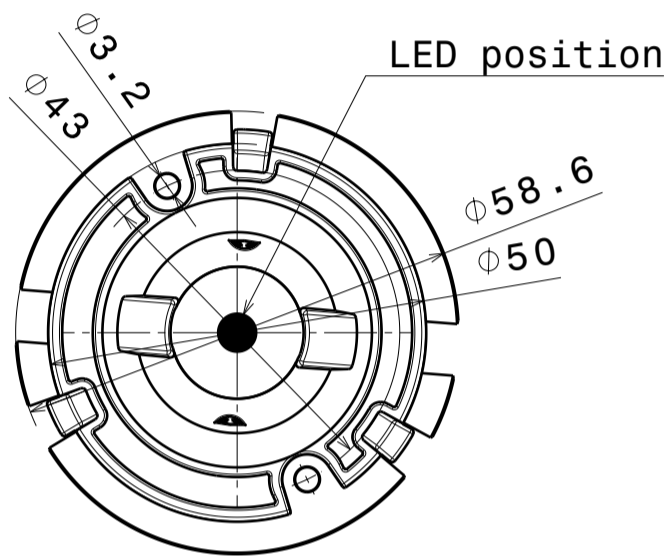
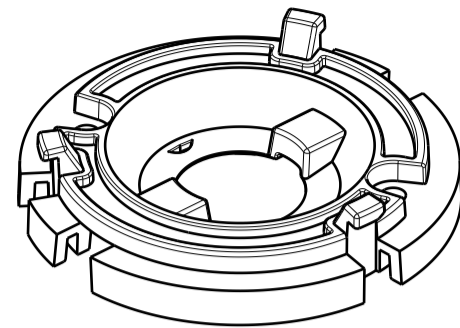
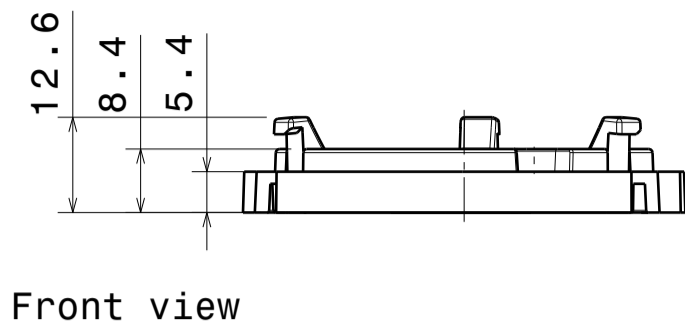
G

F

E


D

C



INDEX	PART
1	C1269

Tolerances if not otherwise shown  
According to DIN ISO 2768-1  
Linear measures: class M  
According to DIN ISO 2768-2  
Form and position: class L

THIRD ANGLE PROJECTION: 

This drawing is the property of LEDiL Oy. It may not be reproduced, copied or communicated without a written agreement with LEDiL Oy.

LED

DRAW

SIZE

A3

SCALE

H

G

4

3

2

1

**NOTE: The typical divergence will be changed by different color, chip size and chip position tolerance. The typical total divergence is the full angle measured where the luminous intensity is half of the peak value.**