



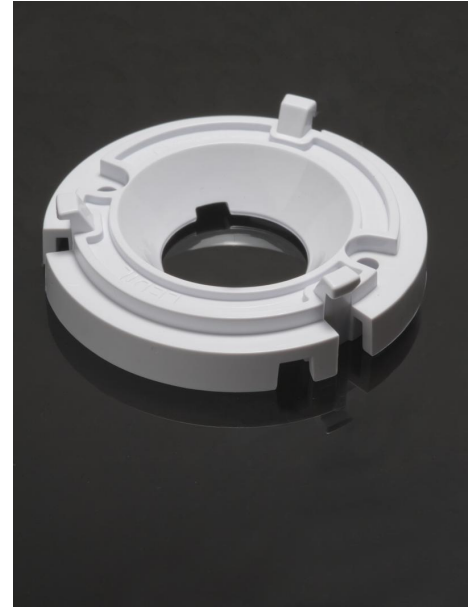
PRODUCT DATASHEET

Lena series

last update 26/6/2014

DETAILS

Product Number	C13324_LENA-STD-BASE-CXA25
Family	Lena
Type	Base part
Color	white
Diameter	58,71 mm
Height	14.46 mm
Style	round
Optic Material	
Holder Material	PC
Fastening	screw
Status	ready
ROHS Compliant	Yes
Date Updated	26/06/2014



OPTICAL PROPERTIES

LED	Viewing Angle	Light Beam	Efficiency	cd/lm	connector
CXA25xx	N/A degrees		-	(simulated) 0.000	-

H

G

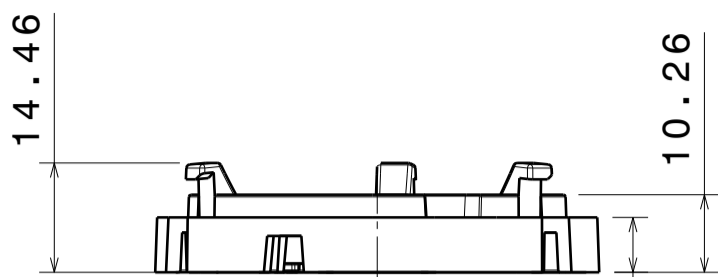
F

E

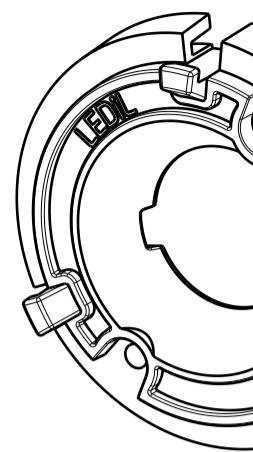
D

C

4

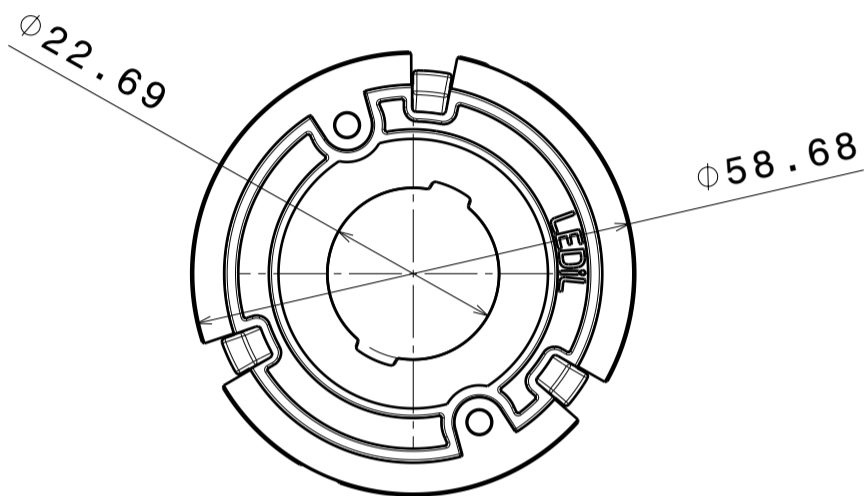


Front view



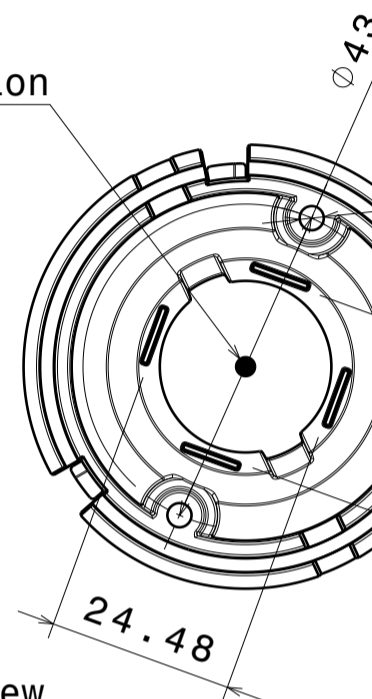
Isometric view

3



Top view

LED position



Bottom view

2

1

INDEX	PAR
1	C133

Tolerances if not otherwise shown
 According to DIN ISO 2768-1
 Linear measures: class M
 According to DIN ISO 2768-2
 Form and position: class L

LED

THIRD ANGLE PROJECTION:



DRAW

This drawing is the property
 of LEDiL Oy. It may not be
 reproduced, copied or
 communicated without a written
 agreement with LEDiL Oy.

SIZE

A3

SCAL

H

G

NOTE: The typical divergence will be changed by different color, chip size and chip position tolerance. The typical total divergence is the full angle measured where the luminous intensity is half of the peak value.