



# PRODUCT DATASHEET

## Lena series

last update 9/5/2014

### DETAILS

<b>Product Number</b>	C13868_LENA-STD-BASE-VERO13-18
<b>Family</b>	Lena
<b>Type</b>	Base part
<b>Color</b>	white
<b>Diameter</b>	80 mm
<b>Height</b>	11.6 mm
<b>Style</b>	round
<b>Optic Material</b>	
<b>Holder Material</b>	PC
<b>Fastening</b>	screw
<b>Status</b>	ready
<b>ROHS Compliant</b>	Yes
<b>Date Updated</b>	9/05/2014



### OPTICAL PROPERTIES

LED	Viewing Angle	Light Beam	Efficiency	cd/lm	connector
VERO18	N/A degrees		-	(simulated) 0.000	-
VERO13	N/A degrees		-	(simulated) 0.000	-

H

G

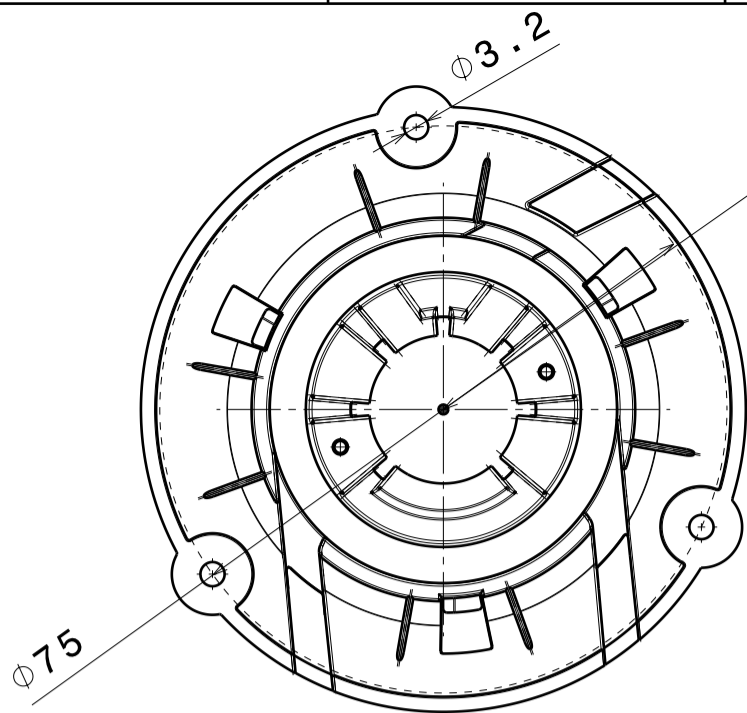
F

E

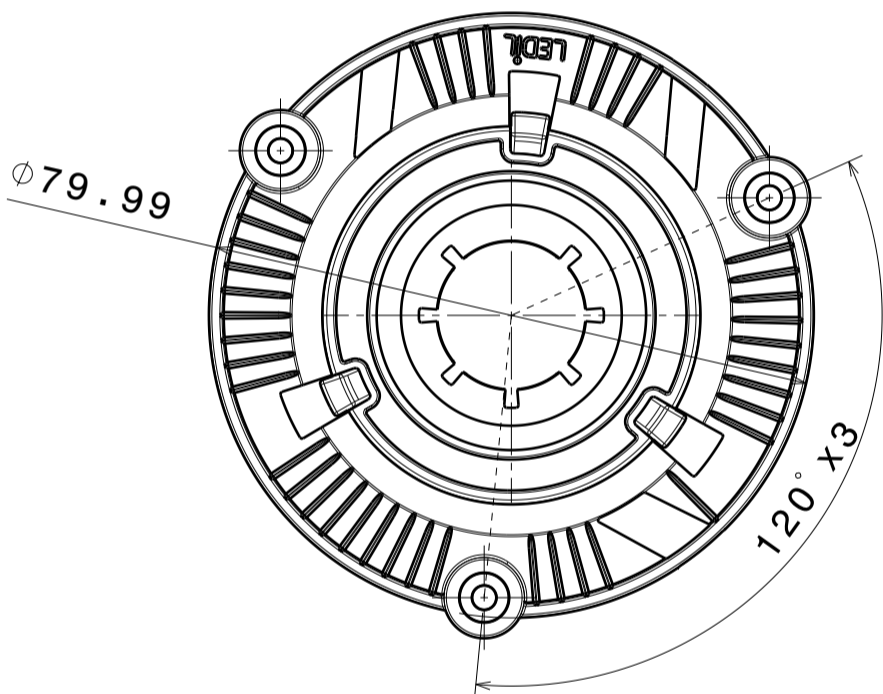
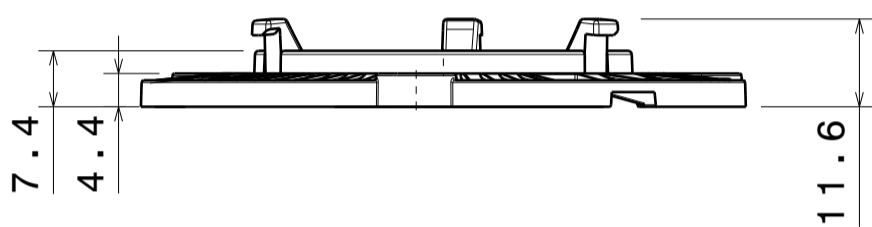
D

C

4  
3  
2  
1



LED middle position



Tolerances if not otherwise shown  
 According to DIN ISO 2768-1  
 Linear measures:  
 Up to 30mm class F, otherwise class M.  
 According to DIN ISO 2768-2  
 Form and position: class K

THIRD ANGLE PROJECTION:



This drawing is the property  
 of LEDiL Oy. It may not be  
 reproduced, copied or  
 communicated without a written  
 agreement with LEDiL Oy.

IN 1

LED

DRAW Da

SIZE A3

SCALE

H

G

**NOTE: The typical divergence will be changed by different color, chip size and chip position tolerance. The typical total divergence is the full angle measured where the luminous intensity is half of the peak value.**

### **GENERAL INFORMATION**

- Product series especially designed & optimized for series of LEDs.
- Special care taken to make light distribution as uniform as possible.

Note! Due to use of high power COB's with this product, special attention to proper thermal design is highly recommended. LEDiL has no liability for direct, indirect or consecutive damages arising from the LEDiL products being used outside of the recommended temperature range.