



Description

- Leaded crystal
 - Suitable for real time clock applications
 - Press sealed metal can
- Leaded crystal in a press sealed metal can 3 x 8mm
- Model WATCH-3X8
- Model Issue number 12

Frequency Parameters

- Frequency 32.7680kHz
- Frequency Tolerance @ 25°C ±15.00ppm
- Operating Temperature Range -10.00 to 60.00 °C
- Overtone Order Fundamental
- Ageing ±5ppm max per year

Electrical Parameters

- Load Capacitance (CL) 12.50pF
- Shunt Capacitance (Co) 1.6pF typical
- Drive Level 1.0µW max
- ESR 50kΩ max

Environmental Parameters

- Storage Temperature Range: -40 to 85°C
- Operable Temperature Range: -10 to 60
- Drop: 75cm drop (3 times) onto hard wooden board

Compliance

- RoHS Status Compliant
- REACH Status Compliant

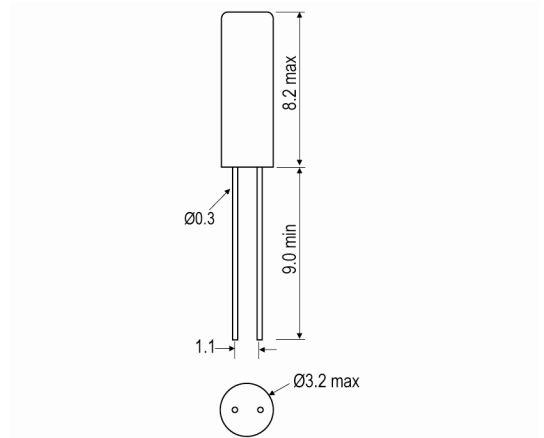
Packaging

- Pack Type: Bulk Loose in bulk pack
- Pack Size 1,000
- Alternative packing option available

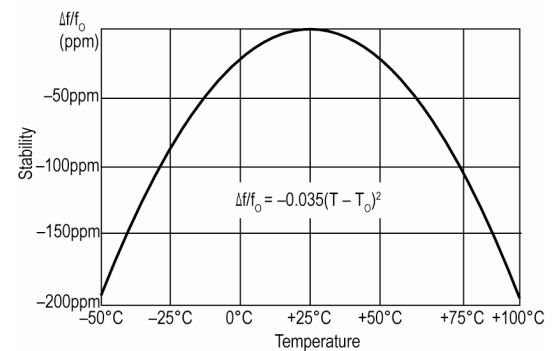
This document is correct at the time of printing; please contact your local office for the latest version.



Outline (mm)



Typical Frequency Stability Characteristics



Sales Office Contact Details:

UK: +44 (0)1460 270200
 Germany: +49 (0)7264 9145-0

France: +33 (0)5 34 50 91 18
 USA: +1 (0) 408 455 2426

Email: info@iqdfrequencyproducts.com
 Web: www.iqdfrequencyproducts.com