

Data Sheet

SP051xxVGNN

Page 1/4

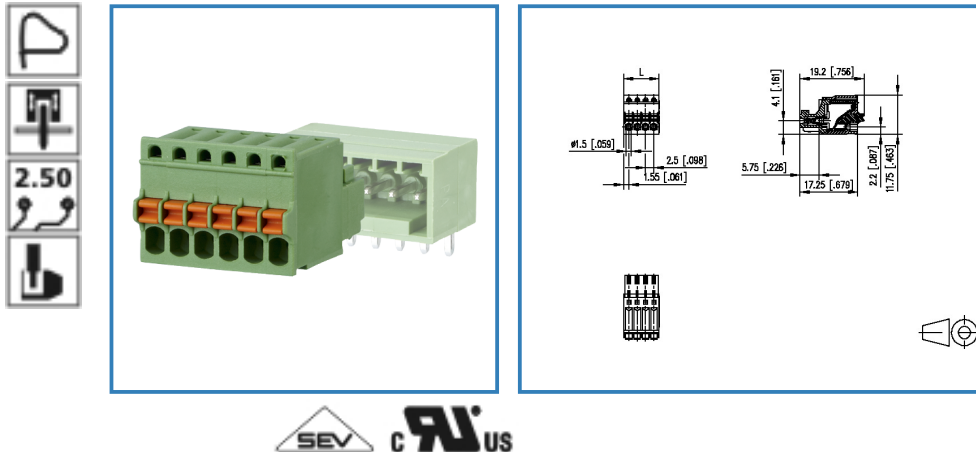
P/N

ASP051xx

xx=number of poles

2013/12/05

Illustration



see enlarged drawing at the end of the document

Product specification

- spring clamp terminal block, pluggable
- centerline 2.50 mm, direction of connection vertical 0°
- color green
- push-button, wire entry uncodeable side parallel to plug direction
- Connection data

CRIUS V / A / AWG 150 / 5 / 28 - 20

SEV 6 A / 80 V / 2.5 kV / 3 / IEC 61984 / 0.08 - 0.5 mm²



Data Sheet

SP051xxVGNN

Page 2/4

P/N

ASP051xx

xx=number of poles

2013/12/05

Technical Data

General Data

min. number of poles	2		
max. number of poles	12		
Insulating material class	CTI 600		
clearance/creepage dist.	1.7 mm		
protection category	IP 20		
Overvoltage category	III	III	II
Pollution degree	3	2	2
Rated voltage	80 V	320 V	320 V
Rated test voltage	2.5 kV	2.5 kV	2.5 kV

Connection data

 V / A / AWG	150 / 5 / 28 - 20
--	-------------------



6 A / 80 V / 2.5 kV / 3 / IEC 61984 / 0.08 - 0.5 mm²

Material

insulating material	PA66
flammability class	V0

Climatic properties

upper limit temperature	105 °C
lower limit temperature	-40 °C

General

Tolerance	ISO 2768 -mH
-----------	--------------



Data Sheet

SP051xxVGNN

Page 3/4

P/N

ASP051xx

xx=number of poles

2013/12/05

Matching Part

P/N	Product name
313541 (on request)	PT091xxHBEC Typ 354
313731	PT091xxVGBN Typ 373
313741	PT091xxHGBN Typ 374

Data Sheet

SP051xxVGNN

Page 4/4

P/N

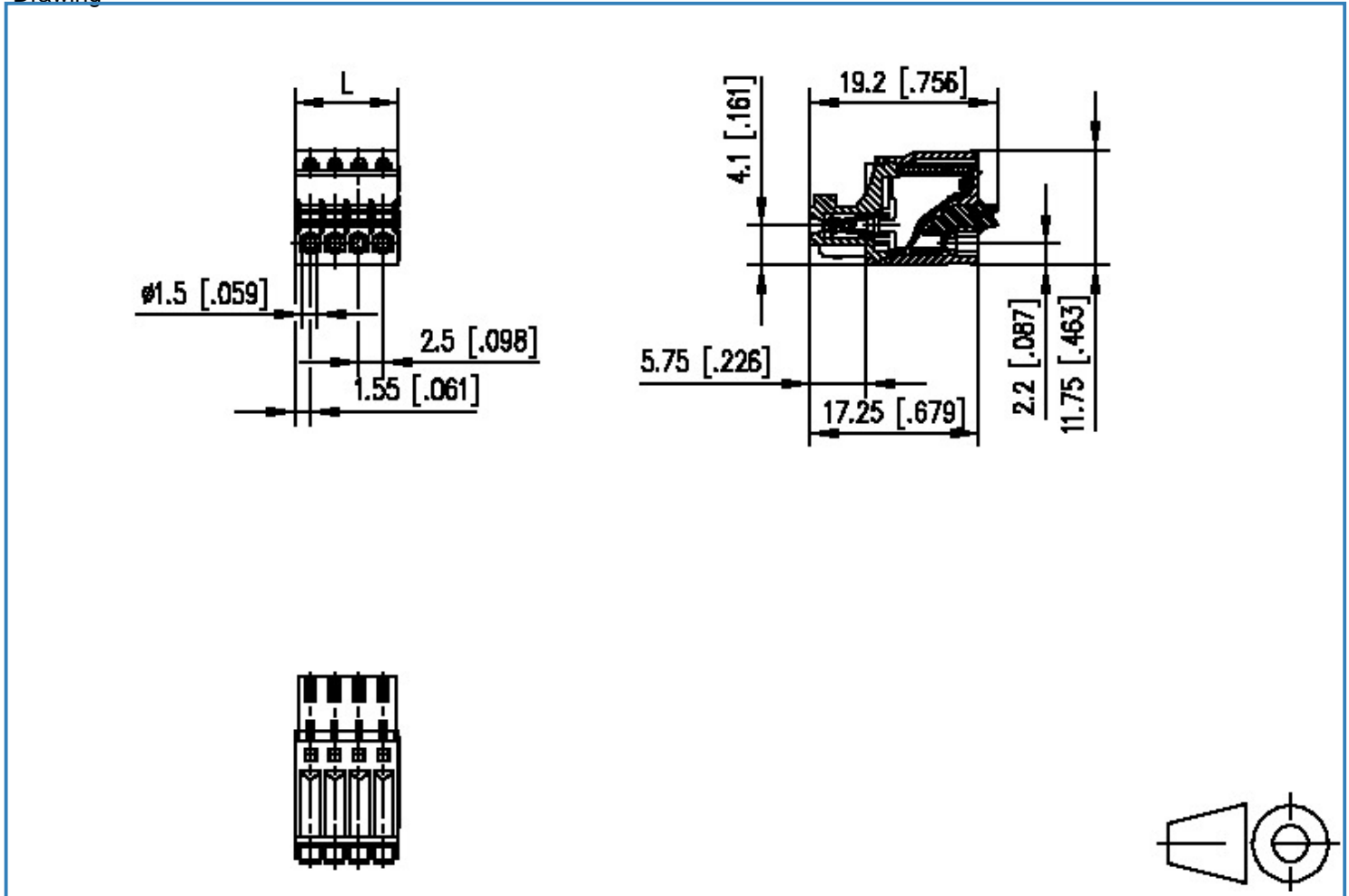
ASP051xx

xx=number of poles

2013/12/05

Illustration

Drawing



$L = (\text{pole size} - 1) \times \text{centerline} + 3.1 [0.122]$

