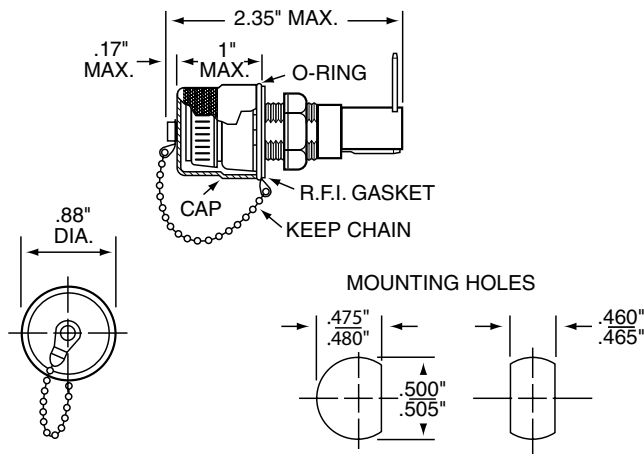


340 Series RF Shielded / Watertight Panel Mount Fuse Holders for 3AG Fuses



Dimensions



Product Characteristics

Compatible Fuses	3AG
Description	Radio frequency shielded fuseholders eliminate possible transmission or reception of RF signals through the hole in the chassis in which the fuseholder is mounted. These fuseholders comply with the watertight construction requirement of MIL-PRF-19207 and the Shock-Safe requirements of IEC 60065 and 60127-6. A rubber O-ring and conductive gasket maintain RF shielding and watertight construction.
Agency Approval	
Agency	Agency File Number
	E75961

* Ensure that proper fuse de-rating is factored in fuseholder selection.

Ordering Information

Catalog Number	Brass Shielding Cap Finish
340 312	Nickel plated
340 313	Dull Black

Additional Information



Datasheet



Resources



Samples