

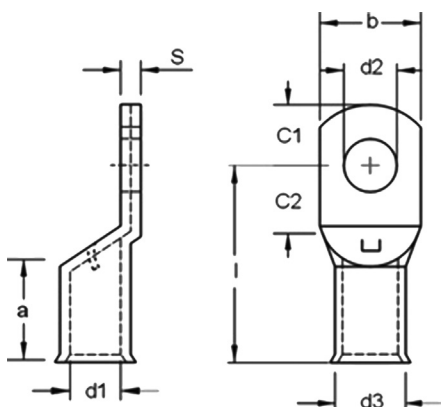
Non-Insulated Flared Copper Tubular Lugs



Maximum Electric Current:

A.W.G.	12	10	8	6	4	2	1/0	2/0	3/0	4/0	250	300
AMP.	35	50	70	95	125	170	230	265	310	360	405	445

Terminal Material: Copper Tubular



Part Number Table

Description	Wire Range A.W.G. mm ²	Dimension (mm)									Q'ty Box	Part No.
		a	b	C1	C2	d1	d2	d3	l	S		
Non-Insulated Flared Copper Tubular Lugs	8 A.W.G. 10 mm ²	10	12	6.5	7.5	4.5	5.5	7	22	1.8	500	MC000746
		10	12	6.5	7.5	4.5	6.4	7	22	1.8	500	MC000747
		10	15	10	10	4.5	8.4	7	25	1.5	500	MC000748
		10	17	12	12	4.5	10.5	7	27	1.3	500	MC000749



Non-Insulated Flared Copper Tubular Lugs



Description	Wire Range A.W.G. mm ²	Dimension (mm)									Q'ty Box	Part No.
		a	b	C1	C2	d1	d2	d3	l	S		
Non-Insulated Flared Copper Tubular Lugs	6 A.W.G.	13	12	6.25	7.5	5.5	6.4	8.5	27	2.8	250	MC000750
		13	15	8.5	9.5	5.5	8.4	8.5	29	2.1	250	MC000751
	16 mm ²	13	17	10.5	11.5	5.5	10.5	8.5	31	2	250	MC000752
		4 A.W.G.	15	14	7.5	7.5	7.0	6.4	10	30	2.8	200
	25 mm ²	15	16	10	10	7.0	8.4	10	32	2.4	200	MC000754
		15	18	12	12	7.0	10.5	10	34	2.2	200	MC000755
	2 A.W.G.	17	17	10	10	8.5	8.4	12	34	3.2	200	MC000756
		35 mm ²	17	19	12	12	8.5	10.5	12	37	2.9	200

Important Notice : This data sheet and its contents (the "Information") belong to the members of the Premier Farnell group of companies (the "Group") or are licensed to it. No licence is granted for the use of it other than for information purposes in connection with the products to which it relates. No licence of any intellectual property rights is granted. The Information is subject to change without notice and replaces all data sheets previously supplied. The Information supplied is believed to be accurate but the Group assumes no responsibility for its accuracy or completeness, any error in or omission from it or for any use made of it. Users of this data sheet should check for themselves the Information and the suitability of the products for their purpose and not make any assumptions based on information included or omitted. Liability for loss or damage resulting from any reliance on the Information or use of it (including liability resulting from negligence or where the Group was aware of the possibility of such loss or damage arising) is excluded. This will not operate to limit or restrict the Group's liability for death or personal injury resulting from its negligence. Multicomp is the registered trademark of the Group. © Premier Farnell plc 2012.