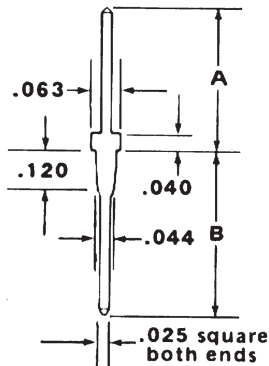


**Terminals:** Vector Wiring Terminals are useful for breadboarding or prototyping using Vectorbord Plugboards™ and accessories. Individual stamped and/or machine terminals are provided in convenient package quantities. Tools for insertion and staking are also available.

## T46 - Press-In Terminals for 0.042" diameter holes

- Single and double-tailed (accessible from both sides) wire-wrap terminals
- 0.025" square posts
- Provides secure contact without soldering or staking
- Rectangular base with stepped shank presses into plain or plated-through holes and is retained without etching or soldering
- Pointed ends slide neatly into all wrapping bits
- 260 Cartridge Brass



Part No.	A	B
T46-2-9	.36"	.42"
T46-3-9	.46"	.60"
T46-4-9	.04"	.42"
T46-5-9	.28"	.60"

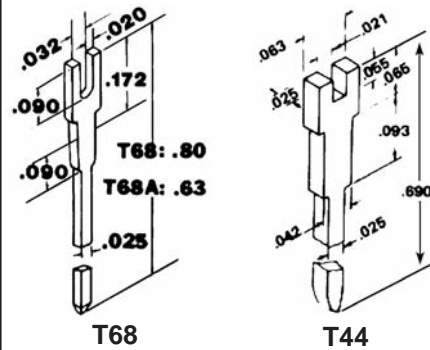
P133A Insertion Tool



## T44, T68 Bifurcated Miniwrap Terminals for 0.042" holes



- Wire-Wrap tail with two-pronged receptacle for wires or leads
- 0.025" square posts
- Rectangular terminal with stepped shank presses securely into plated or unplated holes, requires no staking or soldering
- Bifurcated end holds soldered leads securely
- T44: maximum 0.021" diameter leads or 24 gage wires
- T68: maximum 0.032" diameter leads or 20 gage wires
- 260 Cartridge Brass

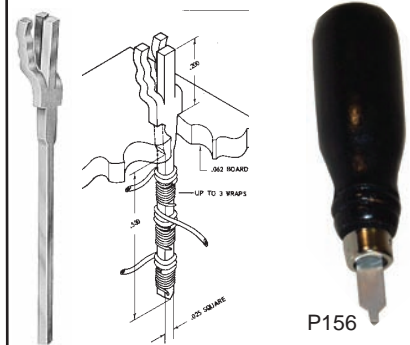


T68 T68A  
Insertion Tool: A13-1 Insertion Tool: A13



## T49 - Trifurcated Klipwrap Terminals for 0.042" diameter holes

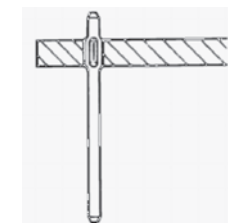
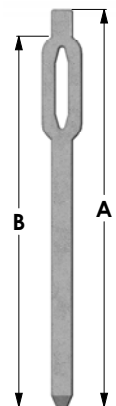
- Wire-wrap tail with three-pronged receptacle for wires or leads
- 0.025" square posts
- Wires or leads are crimped into receptacle on component side, secured for soldering
- Holds 0.018" - 0.025" diameter leads or 22 gage wires in lower slot, 0.032" - 0.040" diameter leads or 17 gage wires in upper slot
- Overall length - 0.650", 0.215" above 0.062" thick board with 0.373" below the board
- Phosphur Bronze



P156

## T125, T126 - Wire-Wrap Terminals for .042" diameter holes

- Pressfit wire-wrap terminals, ideal for connecting voltage and ground holes in Vectorbord plus™ and Pads & Planes™ patterns
- 2-level terminals: Part No. T125
- 3-level terminals: Part No. T126
- Phosphur Bronze



Part No.	A	B
T125/C	.560"	.529"
T126/C	.700"	.669"

Packages of 100 each

Terminal: Tin Plate	Terminal: Gold Plate	Package Qty	Hand Insertion Tool
Part No.	Part No.		
T44/C	T44-1/C	100	A13
T44/M	T44-1/M	1000	A13
T46-2-9/M		1000	P133A
T46-3-9/C		100	P133A
T46-3-9/M	T46-3A9/M	1000	P133A
T46-4-9/C		100	P133A
T46-4-9/M	T46-4A9/M	1000	P133A
T46-5-9/C		100	P133A
T46-5-9/M		1000	P133A
T49/C	T49A/C	100	P156
T49/M	T49A/M	1000	P156
T68/C		100	A13-1
T68/M	T68-1/M	1000	A13-1
T68A/M		1000	A13-1



P133A