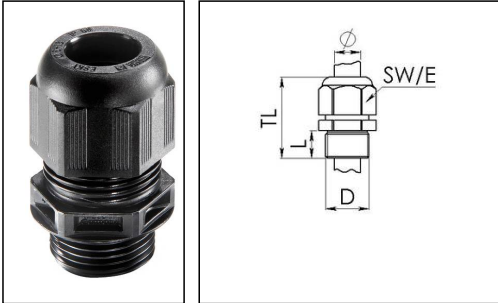


ESKV 20 PLUS

Cable gland, polyamide with short thread



Product illustrations are exemplary and may differ from the chosen product. Further variants and individual customization, we will gladly provide you on request.



Material cable gland	Polyamide
Material sealing gasket	EPDM
Protection class	IP 68, 5 bar 30 min, IP 69K
Temp. range min	-40 °C
Temp. range max	100 °C
Intermittent temp. range	120 °C
Glow wire test	750 °C
Thread type	M
Connection thread size D	20
Lead	1,5
Length screw-in thread L	10 mm
Cable diameter min	7,5 mm
Cable diameter max	14 mm
Cable Diameter UL	7,5 mm - 11,3 mm
Key width SW	24 mm
Collar diameter (E)	27 mm
Total length TL	36 mm - 45 mm
Type of cable anchorage	A
Install. torques fitting	4 N/m
Impact category	2
Install. torques cap nut	3 N/m
Advice	VDE - Approval: -20°C - 100°C
Product Color	RAL 9005
Type	ESKV 20 PLUS
Order no. RAL 9005	10061864

Packing unit

50

ETIM-Classification

EC000441

20.10.2014