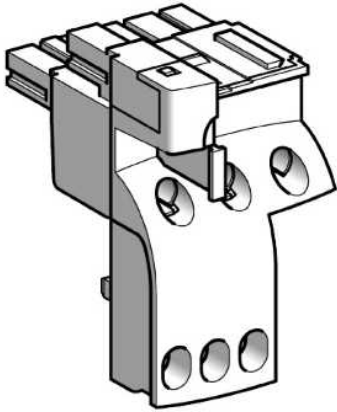


LU9MR1C

control circuit pre-wired connector - for reversing motor starter TeSys U



Main

Range of product	TeSys U
Device short name	LU9MR
Product or component type	Pre-wired connector

Complementary

Product weight	0.035 kg
----------------	----------