



Main

Range of product	Zelio Control
Product or component type	Modular measurement and control relays
Relay type	Temperature control relays
Product specific application	Heating or cooling HVAC Industrial machines Packaging
Relay name	RTC

Complementary

Outer dimension	1/16 DIN 48 x 48 mm
Analogue input type	Current 4...20 mA Current 0...20 mA Voltage 0...10 V DC Voltage 1...5 V DC Voltage 0...5 V DC Voltage 0...1 V DC Temperature probe (temperature probe: Pt 100, JPt 100) Thermocouple (thermocouple J, K, R, B, S, T, E, N, PLII, C(W/Re5-26))
[Us] rated supply voltage	24 V AC/DC
Supply voltage limits	20...28 V
Measurement accuracy	0.2 % full scale
Sampling duration	250 ms
Number of outputs	1 relay output with NO contact for output 1
Output type	Relay output at 250 V AC / 1 A on inductive load Relay output at 250 V AC / 3 A on resistive load
Alarm output	1 C/O
Power consumption in VA	<= 8 VA at 250 V AC
Communication port protocol	Modbus (RTU and ASCII)
Method of access	Slave
Transmission frame	RTU/ASCII
Physical interface	RS485 non isolated
Exchange mode	Half duplex
Transmission rate	9600, 19200 kbit/s
Function available	Auto tuning PID
Marking	CE
Operating position	Any position
Display type	11 segments LCD
Display digits	5
Signalling function	Setpoint value green Transmission/Reception activity (TX/TR) orange Alarm status (EV1, EV2) orange Output status (OUT1, OUT2) orange Process value green, orange and red
Mounting support	Panel
Product weight	120 g

Environment

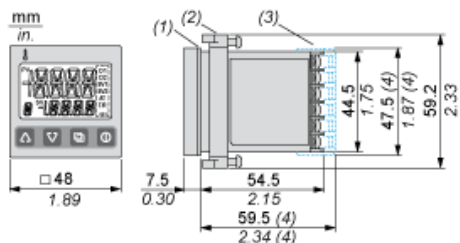
Standards	EN 61010-1 EN 61326-1 CSA C22.2 No 24-93
Product certifications	CURus (873)
Ambient air temperature for storage	-25...80 °C
Ambient air temperature for operation	0...50 °C
Relative humidity	35...85 % without condensation
Vibration resistance	1 gn at 10...55 Hz conforming to IEC 60068-2-6
Shock resistance	10 gn conforming to IEC 60068-2-27
IP degree of protection	IP66 (front face) conforming to IEC 60529 IP20 (rear)
NEMA degree of protection	NEMA 4X (front face)

Offer Sustainability

Sustainable offer status	Not Green Premium product
--------------------------	---------------------------

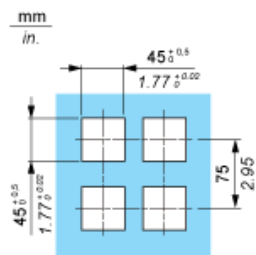
48 x 48 Size – 1/16 DIN Standard

Panel Mounting : Mounting Frame Supplied

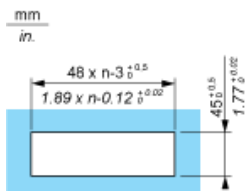


- (1) Gasket
- (2) Mounting frame
- (3) Terminal cover, to be ordered separately.
- (4) When Terminal cover (sold separately) is used

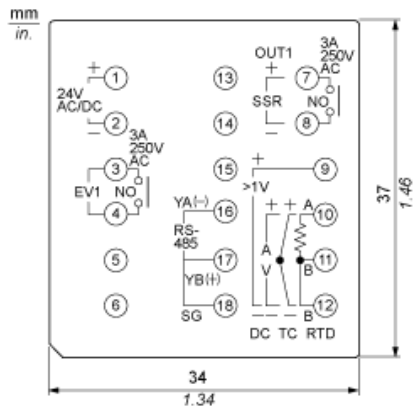
Panel cut-out



Side stick mounting: n units (water-proof property lost in this case)



Wiring Diagram



- EV : Alarm output
- OUT :Control output
- DC : DC current or DC voltage input
- TC : Thermocouple input
- RTD :Resistance temperature detector input
- RS :Serial communication
- 485 :
- SSR :Solid State relay