



Main

| | |
|------------------------------|--|
| Range of product | Zelio Control |
| Product or component type | Modular measurement and control relays |
| Relay type | Temperature control relays |
| Product specific application | Heating or cooling HVAC Industrial machines Packaging |
| Relay name | RTC |

Complementary

| | |
|---------------------------|--|
| Outer dimension | 1/16 DIN 48 x 48 mm |
| Analogue input type | Current 4...20 mA Current 0...20 mA Voltage 0...10 V DC Voltage 1...5 V DC Voltage 0...5 V DC Voltage 0...1 V DC Temperature probe (temperature probe: Pt 100, JPt 100) Thermocouple (thermocouple J, K, R, B, S, T, E, N, PLII, C(W/Re5-26)) |
| [Us] rated supply voltage | 100...240 V AC |
| Supply voltage limits | 85...264 V |
| Measurement accuracy | 0.2 % full scale |
| Sampling duration | 250 ms |
| Number of outputs | 1 relay output with NO contact for output 1 |
| Output type | Relay output at 250 V AC / 1 A on inductive load Relay output at 250 V AC / 3 A on resistive load |
| Alarm output | 1 C/O |
| Power consumption in VA | <= 8 VA at 250 V AC |
| Function available | Auto tuning PID |
| Marking | CE |
| Operating position | Any position |
| Display type | 11 segments LCD |
| Display digits | 5 |
| Signalling function | Setpoint value green Transmission/Reception activity (TX/TR) orange Alarm status (EV1, EV2) orange Output status (OUT1, OUT2) orange Process value green, orange and red |
| Mounting support | Panel |
| Product weight | 120 g |

Environment

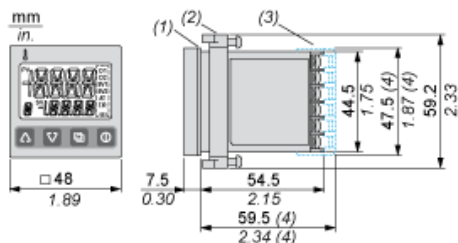
| | |
|---------------------------------------|--|
| Standards | EN 61010-1 EN 61326-1 CSA C22.2 No 24-93 |
| Product certifications | CURus (873) |
| Ambient air temperature for storage | -25...80 °C |
| Ambient air temperature for operation | 0...50 °C |
| Relative humidity | 35...85 % without condensation |
| Vibration resistance | 1 gn at 10...55 Hz conforming to IEC 60068-2-6 |
| Shock resistance | 10 gn conforming to IEC 60068-2-27 |
| IP degree of protection | IP66 (front face) conforming to IEC 60529 IP20 (rear) |
| NEMA degree of protection | NEMA 4X (front face) |

Offer Sustainability

| | |
|--------------------------|---------------------------|
| Sustainable offer status | Not Green Premium product |
|--------------------------|---------------------------|

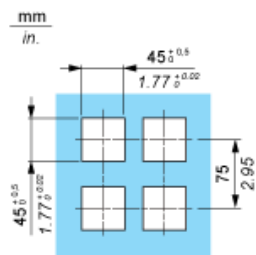
48 x 48 Size – 1/16 DIN Standard

Panel Mounting : Mounting Frame Supplied

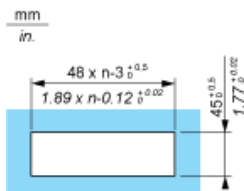


- (1) Gasket
- (2) Mounting frame
- (3) Terminal cover, to be ordered separately.
- (4) When Terminal cover (sold separately) is used

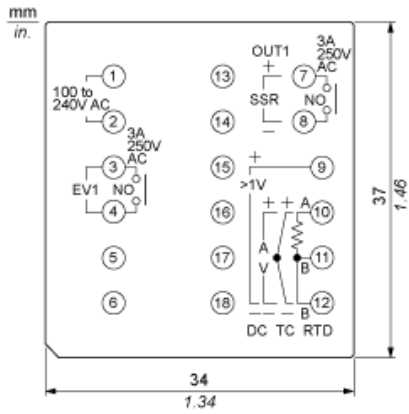
Panel cut-out



Side stick mounting: n units (water-proof property lost in this case)



Wiring Diagram



- EV : Alarm output
- OUT :Control output
- DC : DC current or DC voltage input
- TC : Thermocouple input
- RTD :Resistance temperature detector input
- SSR :Solid State relay