

PLEASE CHECK WWW.MOLEX.COM FOR LATEST PART INFORMATION

Part Number: [85502-5008](#)
Status: **Active**
Overview: Modular Plugs - Jacks
Description: Modular Jack, Right Angle, Low Profile, Surface Mount, 8/8, Gold (Au)

Documents:

3D Model	Application Specification AS-85513-001 (PDF)
Drawing (PDF)	Test Summary STR-1413 (PDF)
Product Specification PS-95501 (PDF)	RoHS Certificate of Compliance (PDF)

Agency Certification

UL E107635

General

Product Family	Modular Jacks/Plugs
Series	85502
Component Type	PCB Jack
Magnetic	No
Overview	Modular Plugs - Jacks
Performance Category	3
Power over Ethernet (PoE)	N/A
Product Name	RJ45
UPC	822350901710

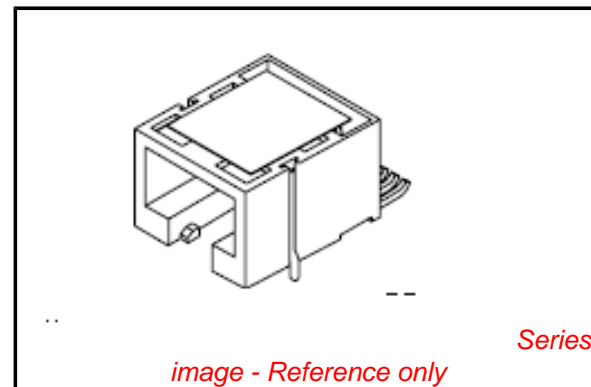
Physical

Color - Resin	Black
Durability (mating cycles max)	500
Flammability	94V-0
Inverted / Top Latch	No
Jack Height	11.50mm
Lightpipes/LEDs	None
Material - Metal	Copper Alloy
Material - Plating Mating	Gold
Material - Plating Termination	Tin
Material - Resin	High Temperature Thermoplastic
Net Weight	2.413/g
Orientation	Right Angle (Side Entry)
PCB Locator	No
PCB Retention	Yes
Packaging Type	Embossed Tape on Reel
Pitch - Mating Interface	1.02mm
Pitch - Termination Interface	1.27mm
Ports	1
Positions / Loaded Contacts	8/8
Surface Mount Compatible (SMC)	Yes
Temperature Range - Operating	-40°C to +80°C
Termination Interface: Style	Surface Mount
Waterproof / Dustproof	No
Wire/Cable Type	N/A

Electrical

Current - Maximum per Contact	1.5A
Shielded	No
Voltage - Maximum	125V AC (RMS)

Material Info



EU RoHS

ELV and RoHS Compliant
REACH SVHC Contains SVHC: No
Low-Halogen Status Low-Halogen

China RoHS



Need more information on product environmental compliance?

Email productcompliance@molex.com
 For a multiple part number RoHS Certificate of Compliance, [click here](#)

Please visit the [Contact Us](#) section for any non-product compliance questions.

Search Parts in this Series

[85502Series](#)

Mates With

FCC 68 Plugs

Reference - Drawing Numbers

Application Specification

AS-85513-001

Product Specification

PS-95501

Sales Drawing

SD-85502-101

Test Summary

STR-1413

This document was generated on 10/03/2014

PLEASE CHECK WWW.MOLEX.COM FOR LATEST PART INFORMATION