



BitScope Micro Oscilloscope Probe Adapter

MP01A is a **dual channel BNC adapter** for **BitScope Micro**. It allows the use of industry standard oscilloscope probes. It also supports simultaneous use of the logic inputs and connection to the waveform and clock generator outputs.

The BNC sockets are supplied with ring nuts and washers so MP01A can be bench mounted (with appropriate metalwork). The logic, waveform generator and clock signals appear on the 16-pin header between the BNC sockets.

Features:

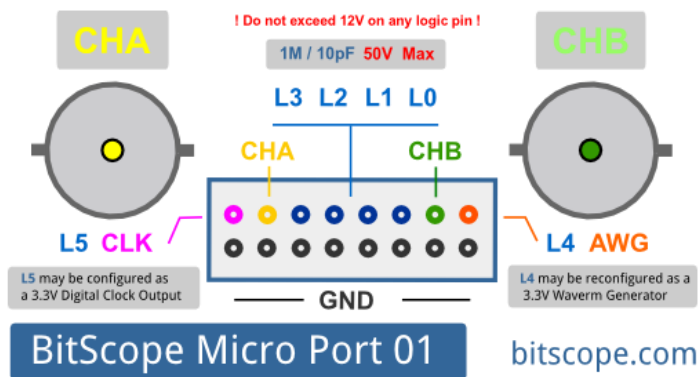
- Supports Standard Oscilloscope Probes.
- Attenuating, Differential & Current Probes.
- Connects BNC Terminated Coaxial Cables.
- Terminators and Adjustable Signal Routing.
- Twisted Pairs for Logic Inputs & Outputs.
- Additional Twisted Pairs for Analog Inputs.
- Dedicated Logic Channel Inputs (L3..L0).
- Shared Comparator Channels (CHA/L7,CHB/L6).
- Switchable Waveform Generator (AWG/L4).
- Switchable Clock Generator (CLK/L5).



The analog inputs are replicated on the 16-pin header and every input has an associated ground pin below it (for twisted pair connection). Two terminator plugs are included to ground any pair of inputs or to route the waveform generator and/or clock outputs to the BNC sockets. The adapter connects via the **BitScope Micro Diagnostic Port** allowing 1:1, 10:1, 100:1 and other standard attenuating oscilloscope probes as well as current, differential or any other type of BNC terminated sensor designed for use with 1M Ω /20pF oscilloscope inputs.



<u>Feature</u>	<u>Specification</u>
BNC Analog Inputs (Standard Probe)	2
Header Analog Inputs (Twisted Pair)	2
Logic Inputs (3.3V/5V)	6
Comparator Channels	2 (via analog inputs)
Waveform Generator	1 (via L4)
Clock Generator	1 (via L5)
Input Impedance	1M Ω /20pF (analog) 100k Ω /5pF (digital)
Input Voltage Range	-7.5 V ~ +10.8 V (1:1 probe) -75 V ~ +108 V (10:1 probe)
Power Requirement	None



<u>MFTR PN</u>	<u>Description</u>
MP01A	Bitscope Micro Oscilloscope Probe Adapter
BitScope Micro + BNC Port Adapter	Bitscope BS05 Micro Oscilloscope and Bitscope Micro Oscilloscope Probe Adapter

Contact Information:

www.Farnell.co.uk

www.Newark.com

www.Bitscope.com