



Main

| | |
|-------------------------------|--|
| Commercial Status | Commercialised |
| Range of product | Zelio Relay |
| Product or component type | Socket |
| Contact terminal arrangement | Separate |
| Product compatibility | Plug-in relay, RSL, 1 C/O, control circuit 24 V DC Plug-in relay, RSL, 1 C/O, control circuit 12 V DC |
| Shape of pin | Flat |
| Device short name | RSLZ |
| Sale per indivisible quantity | 10 |
| Switching voltage | 24 V AC/DC 12 V AC/DC |

Complementary

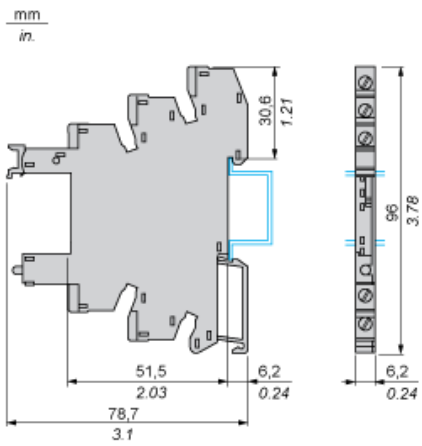
| | |
|--|---|
| [I _{th}] conventional free air thermal current | 6 A |
| [U _e] rated operational voltage | < 300 V AC |
| Tightening torque | <= 0.5 N.m (M2.5) |
| Fixing mode | Plastic compression spring mounting on 35 mm symmetrical DIN rail |
| Marking | CE |
| CAD overall width | 6.2 mm |
| CAD overall height | 78.6 mm |
| CAD overall depth | 95 mm |
| Product weight | 0.023 kg |
| Rated operational voltage limits | 11.4...14.4 V 21.6...28.8 V |

Environment

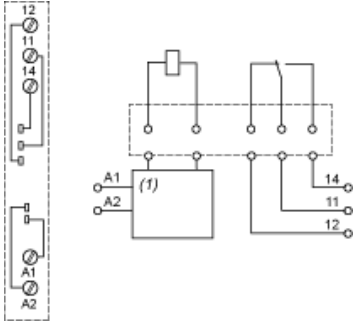
| | |
|---------------------------------------|--|
| Connections - terminals | Connector, 1 x 0.2...1 x 2.5 mm ² /AWG24...AWG14 solid cable without cable end Connector, 1 x 0.2...1 x 2.5 mm ² /AWG24...AWG14 flexible cable with cable end |
| Standards | IEC 61984 UL 508 |
| Product certifications | CSA GOST |
| Ambient air temperature for storage | -40...85 °C |
| Ambient air temperature for operation | -40...70 °C |
| IP degree of protection | IP20 conforming to EN/IEC 60529 |
| Dielectric strength | 2500 V |

The information provided in this documentation contains general descriptions and/or technical characteristics of the performance of the products contained herein. This documentation is not intended as a substitute for and is not to be used for determining suitability or reliability of these products for specific user applications. It is the duty of any such user or integrator to perform the appropriate and complete risk analysis, evaluation and testing of the products with respect to the relevant specific application or use thereof. Neither Schneider Electric Industries SAS nor any of its affiliates or subsidiaries shall be responsible or liable for misuse of the information contained herein.

Dimensions



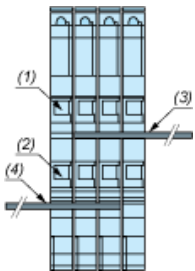
Wiring Diagram



(1) Protection circuit

Example of RSLZ2 Bus Jumper Mounting on Sockets

Side View



- (1) A1
- (2) A2
- (3) Bus jumper polarity A1
- (4) Bus jumper polarity A2