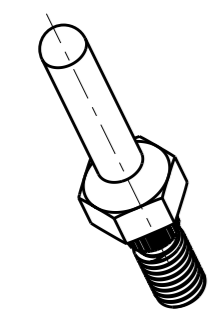


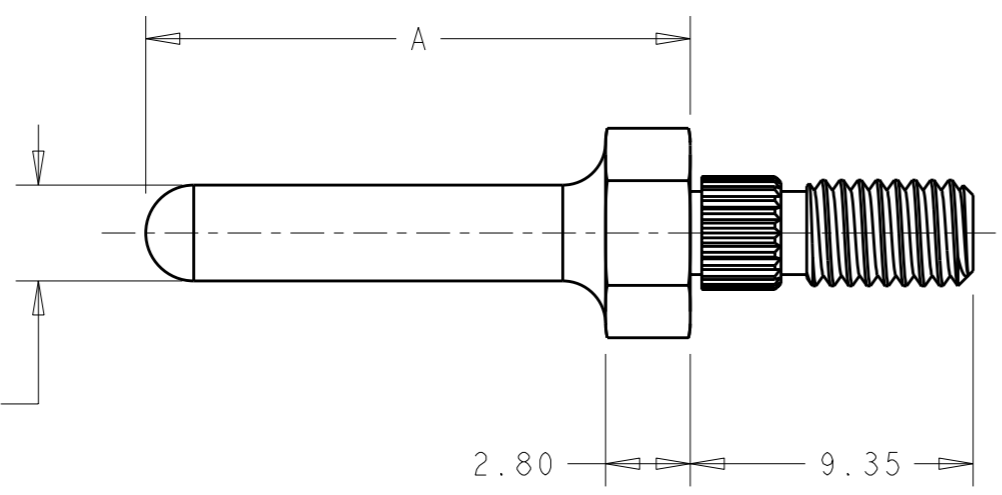
THIS DRAWING IS UNPUBLISHED. RELEASED FOR PUBLICATION 20
 © COPYRIGHT 20 BY TYCO ELECTRONICS CORPORATION. ALL RIGHTS RESERVED.

LOC	DIST	REVISIONS			
P	LTR	DESCRIPTION	DATE	DWN	APVD
GP	00	A	RELEASED PER ECO-09-022496	12OCT2009	RG DO

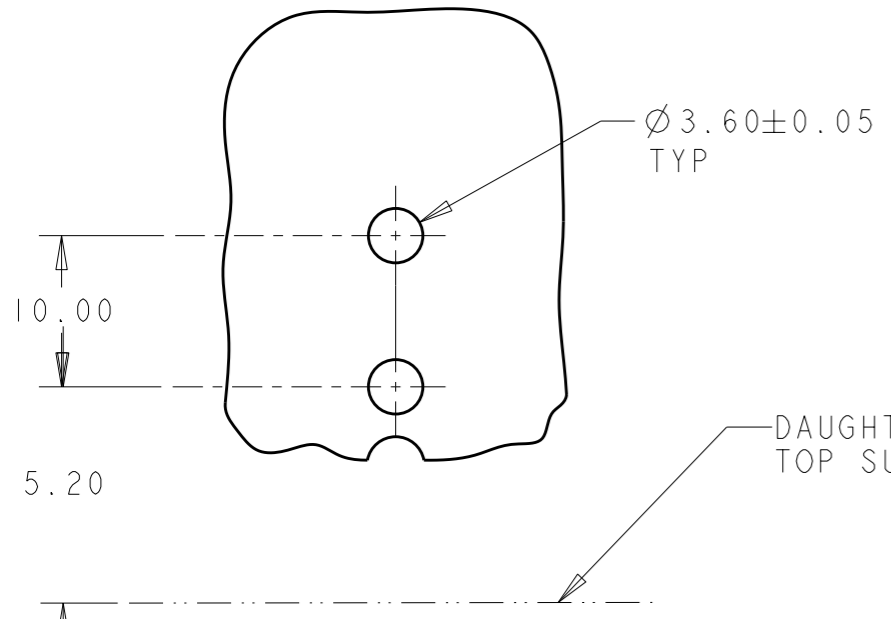
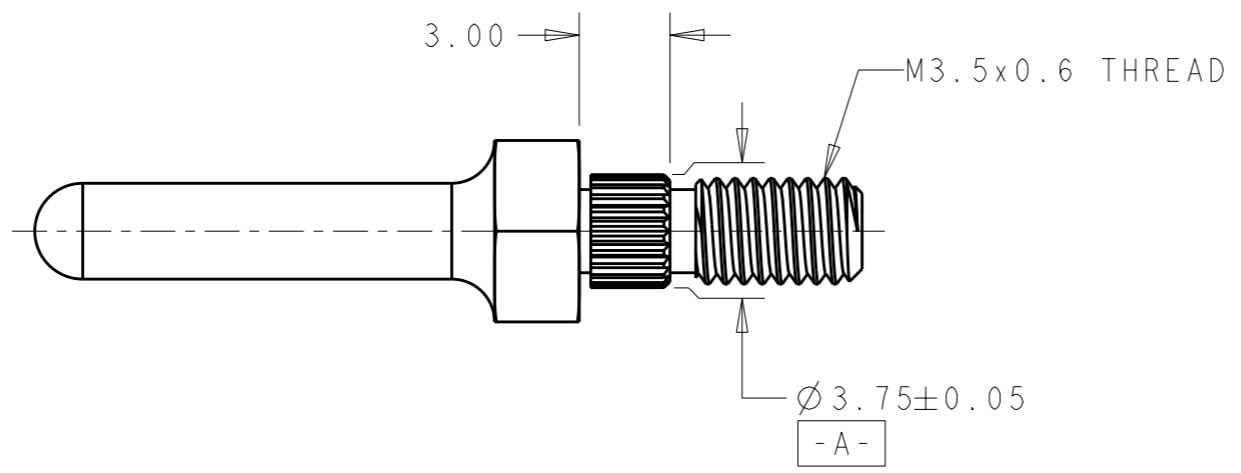
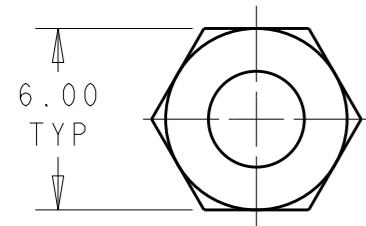


1766663-1
SCALE 2:1

Ø 3.17



- 1 MATERIAL: BRASS,
- 2 FINISH: SILVER PLATE OVER NICKEL UNDERPLATE
- 3. MINIMUM PC BOARD THICKNESS: 3.2mm (.125")
- 4. THIS PRODUCT HAS NOT COMPLETED A VALIDATION TEST.



DAUGHTERCARD PCB TOP SURFACE

RECOMENDED PCB LAYOUT

20.00	FIRST MATE	1766663-6
18.00	GROUND	1766663-2
16.00	POWER	1766663-1
A	DESCRIPTION	PART NUMBER

<small>THIS DRAWING IS A CONTROLLED DOCUMENT FOR TYCO ELECTRONICS CORPORATION. IT IS SUBJECT TO CHANGE AND THE CONTROLLING ENGINEERING ORGANIZATION SHOULD BE CONTACTED FOR THE LATEST REVISION.</small>		DWN 12SEP2005 B. COSTELLO		Tyco Electronics Harrisburg, PA 17105-3608	
DIMENSIONS: mm		TOLERANCES UNLESS OTHERWISE SPECIFIED: 0 PLC ±- 1 PLC ±0.5 2 PLC ±0.35 3 PLC ±- 4 PLC ±- ANGLES ±1°0'		NAME PIN, 3.17mm DIA., POWER/GUIDE CONNECTOR, STACKED, 2-POSITION	
MATERIAL 		FINISH 		PRODUCT SPEC - APPLICATION SPEC - WEIGHT -	
CUSTOMER DRAWING				SIZE A3	CAGE CODE 00779
SCALE 2:1				DRAWING NO C-1766663	RESTRICTED TO -
SHEET 1 OF 1				REV A	