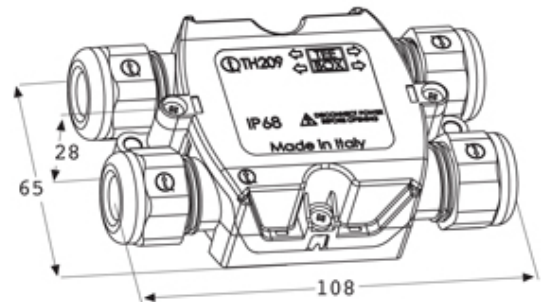


THA.209.D1A

TeeBox 7mm to 14mm cable max IP68 rated Screw fixing 3 cable entries 16A



SPECIFICATION

Cable entries	3
Body material	PA66 / SEBS/ TPE
Max current (A)	16
Minimum temp rating °C	-40
IP rating	68
Max temp rating °C	125
Comments	Photo is representative of product, see line drawing
Fixing system	Screw
Maximum cable diameter (mm)	14
Minimum cable diameter (mm)	7
Temperature "T" rating	T85

DISTRIBUTORS

