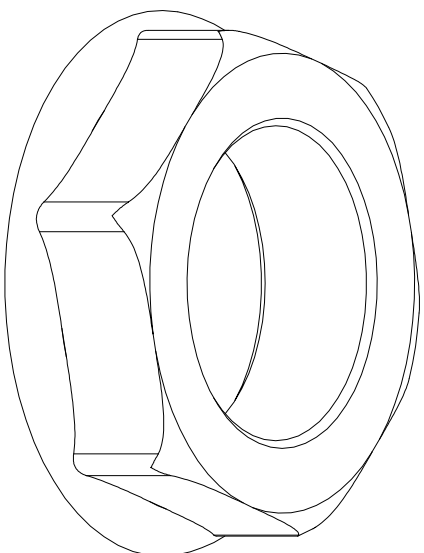
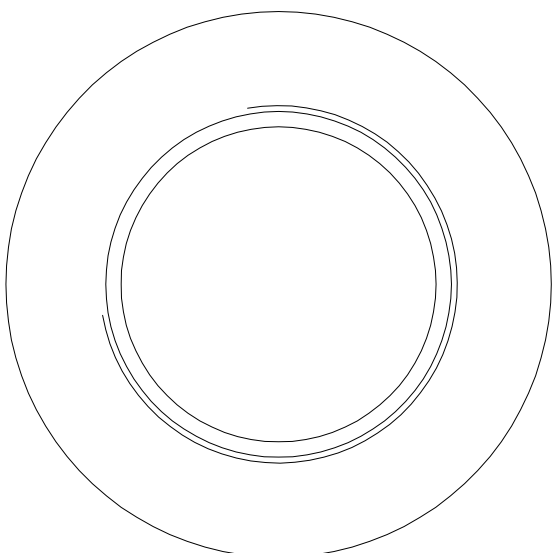


PART NO.	COLOUR
CL1408	BLACK
CL1409	WHITE
CL1410	GREY
CL1412	BLUE
CL1414	GREEN
CL1416	RED
CL1420	YELLOW



ISS.	AMEND	DATE
1	ISSUED	06/07/09

**ROHS COMPLIANT**

TOLERANCE  
 N0 DEC. PLACE ± 0.50  
 1 DEC. PLACE ± 0.20  
 2 DEC. PLACE ± 0.10  
 HOLE DIA. ± 0.10  
 ANGLES ± 1/2°  
 UNLESS OTHERWISE STATED

DIMENSIONS IN MILLIMETERS UNLESS OTHERWISE STATED. WORK TO DIMENSIONS. DO NOT SCALE DRAWING. 3-ANGLE PROJECTION. REMOVE ALL BURRS. IF IN DOUBT ASK.

**Cliff Electronic Components Ltd.**  
 76 Holmechore Ave., Holmechore Ind Estate  
 Redhill, Surrey, RH1 2PF, England  
 Tel: 01732-771375 Fax: 01732-766012

MATERIAL: NYLON 6 - SEE TABLE FOR VARIANTS  
 FINISH: LIGHT SPARK-27 VDI  
 DRAWN: TJO

APPD: DPJ

TITLE: S2 NUT - UK  
 DRWG. No. **CL1408**

FORM: ADRAWGH