

DECOSTAR 51S 50 W 12 V 36° GU5.3

DECOSTAR 51S Standard | Halogen dichroic reflector lamps with 51 mm diameter and glass panel



Areas of application

- General illumination
- Entrance lighting
- Workplace lighting
- Kitchen lighting
- Mirror lighting
- Object lighting

Product benefits

- Brilliant accent light
- Dichroic reflector reduces the heat in the light beam by up to 66 %
- Approved for use in open luminaires (to IEC 60598-1)
- UV filter
- Contains no mercury

Product features

- Average life: 2,000 h
- Dimmable
- Color rendering index R_a : 100

Technical data

Electrical data

Nominal wattage	50.00 W
Nominal voltage	12 V
Rated wattage	50.00 W
Power factor λ	1.00
Energy consumption	53 kWh/1000h

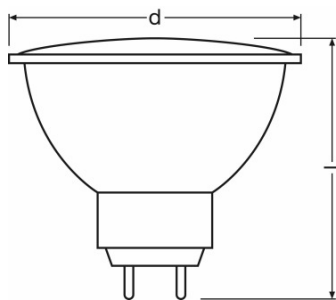
Photometrical data

Nominal useful luminous flux 90°	680 lm
Luminous intensity	1450 cd
Color temperature	2950 K
Light color as per EN 12464-1	Warm White
Color rendering index Ra	100
Lumen main.fact.at end of nom.life time	0.75
Rated useful luminous flux 90°	680 lm

Light technical data

Beam angle	36 °
Starting time	0.0 s
Warm-up time (60 %)	0.00 s

Dimensions & weight



Product line drawing

Diameter	51.0 mm
Length	46.0 mm

Product datasheet

Overall length	46.0 mm
Outer bulb	MR51
Maximum diameter	51.0 mm

Colors & materials

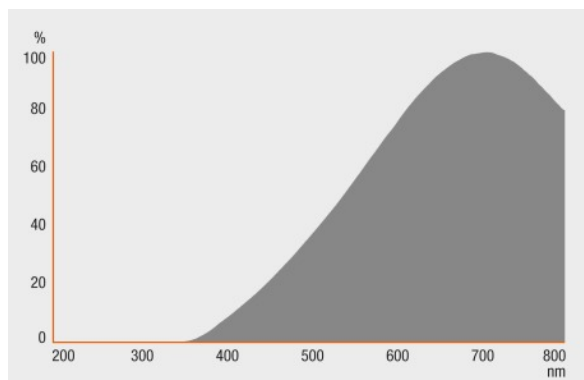
Lamp mercury content	0.0 mg
Mercury-free	Yes

Lifespan

Nominal lamp life time	2000 h
Rated lamp life time	2000 h
Number of switching cycles	50000 ¹⁾

¹⁾ At 1 min on / 3 min off

Additional product data



Spectral power distribution

Base (standard designation)	GU5.3
-----------------------------	-------

Capabilities

Burning position	Any
Dimmable	Yes

Product datasheet

Certificates & standards

Energy efficiency class	B
-------------------------	---

Country specific categorizations

ILCOS	HRGS//UB-50-12-GU5.3-51/36
Order reference	44870 WFL 50W 1

Country specific information

Product code	METEL code	SEG number	STK number	UK Org
4050300272795	OSRH44870WFL	8327024	4739576	-

Product datasheet

Logistical Data

Product code	Product description	Packaging unit (Pieces/Unit)	Dimensions (height x width x length)	Volume	Gross weight
4050300272795	DECOSTAR 51S 50 W 12 V 36° GU5.3	Folding carton box 1	46 mm x 46 mm x 58 mm	0.12 dm ³	39.00 g
4050300531571	DECOSTAR 51S 50 W 12 V 36° GU5.3	Shipping carton box 20	157 mm x 122 mm x 192 mm	3.68 dm ³	856.00 g
4050300778358	DECOSTAR 51S 50 W 12 V 36° GU5.3	Folding carton box 5	146 mm x 60 mm x 142 mm	1.24 dm ³	220.00 g
4050300778365	DECOSTAR 51S 50 W 12 V 36° GU5.3	Shipping carton box 20	244 mm x 127 mm x 106 mm	3.28 dm ³	940.00 g
4050300989655	DECOSTAR 51S 50 W 12 V 36° GU5.3	Bundle 10	236 mm x 58 mm x 91 mm	1.25 dm ³	390.00 g
4050300989662	DECOSTAR 51S 50 W 12 V 36° GU5.3	Shipping carton box 60	245 mm x 135 mm x 290 mm	9.59 dm ³	2578.00 g

The mentioned product code describes the smallest quantity unit which can be ordered. One shipping unit can contain one or more single products. When placing an order, for the quantity please enter single or multiples of a shipping unit.

References / Links

— For light distribution curves see

▶ www.osram.com

Disclaimer

Subject to change without notice. Errors and omission excepted. Always make sure to use the most recent release.