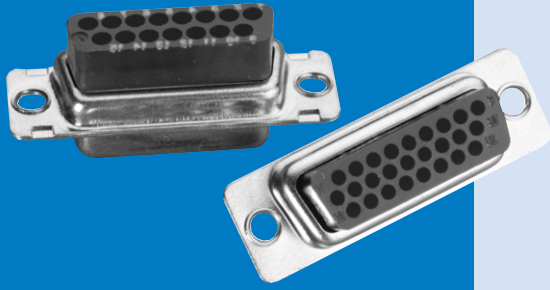


## RR-HR SERIES



Designed for high volume production, Amphenol's rear release crimp connector and contacts provide significant cost savings.

- EMI / RFI shell configuration.
- Removable, reusable contacts.
- Automatic and manual tooling available.

- Industrial
- Telecom
- Any industry standard I / O connections

## Stamped And Formed Contacts Rear Release Crimp Connectors

- Standards:
- RR: UL File : E64911
  - HR: UL File : E149426
  - Connectors according to MIL C24308

### SPECIFICATIONS:

#### MATERIALS AND PLATINGS

Shells	Steel yellow chromated over zinc or tinned steel with or without dimples on plug connector
Insulator	Black glass-filled thermoplastic, UL 94V-0
Rear Insert	Brass, 118µ" up to 197µ" (3µm up to 5µm) tinned over nickel 78µ" up to 118µ" (2µm up to 3µm)
Screwlock	Brass, 236µ" up to 394µ" (6µm up to 10µm) tinned over nickel 78µ" up to 118µ" (2µm up to 3µm)

Contacts	Under plating	Crimp side
8µ" (0.2µm) gold	78µ" (2µm) nickel	gold flash or tin
20µ" (0.5µm) gold	78µ" (2µm) nickel	gold flash or tin
30µ" (0.76µm) gold	78µ" (2µm) nickel	gold flash or tin

#### ELECTRICAL DATA

Current Rating	5A
Voltage Rating	500V AC/rms 50Hz
Withstanding Voltage	RR: 1000V AC/rms 50Hz for 1 minute HR: 1000V AC/rms 60Hz for 1 minute
Insulation Resistance	RR: 5000MΩ HR: 1000MΩ
Contact Resistance	10mΩ max.
Wire Size	20-28 AWG max. insulation out .05 (Ø1.27)

#### CLIMATIC DATA

Operating Temperature	67°F to 221°F (-55°C to +105°C)
-----------------------	---------------------------------

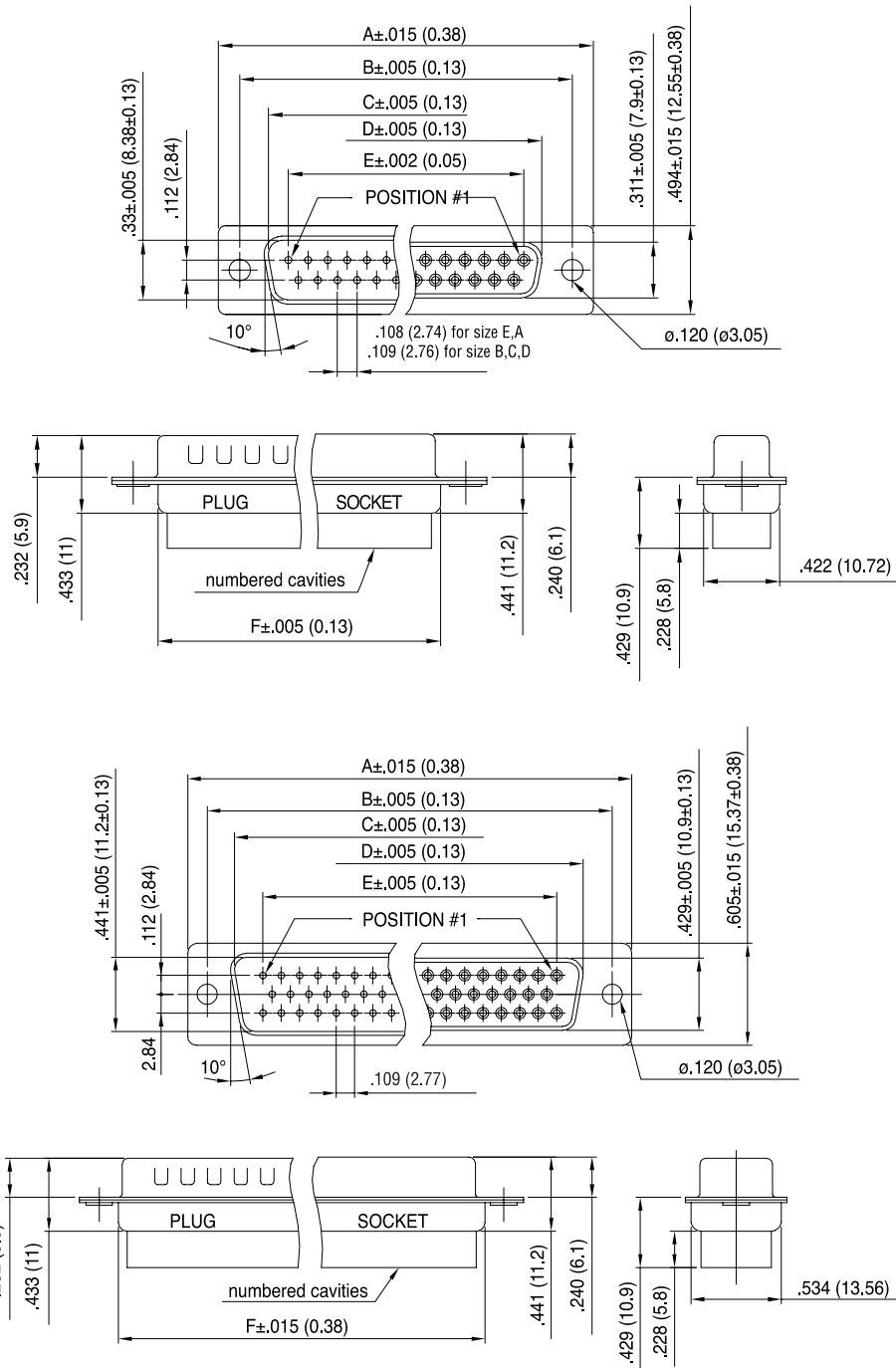
#### MECHANICAL DATA

##### Mating and Unmating Force

Unit: lb. (kg.)

No. of Contacts		Mate (max.)		Unmate (min.)	
RR	HR	RR	HR	RR	HR
9 (size E)	15 (size E)	6.74 (3.05)	8.42 (3.81)	0.79 (0.36)	1.14 (0.52)
15 (size A)	26 (size A)	11.24 (5.09)	13.16 (5.95)	1.01 (0.46)	2.32 (1.05)
25 (size B)	44 (size B)	18.66 (8.44)	20.46 (9.26)	1.8 (0.81)	3.02 (1.37)
37 (size C)	62 (size C)	27.65 (12.51)	29.78 (13.48)	2.47 (1.1)	3.88 (1.76)
50 (size D)	78 (size D)	32.38 (14.65)	34.96 (15.82)	3.56 (1.6)	4.46 (2.02)

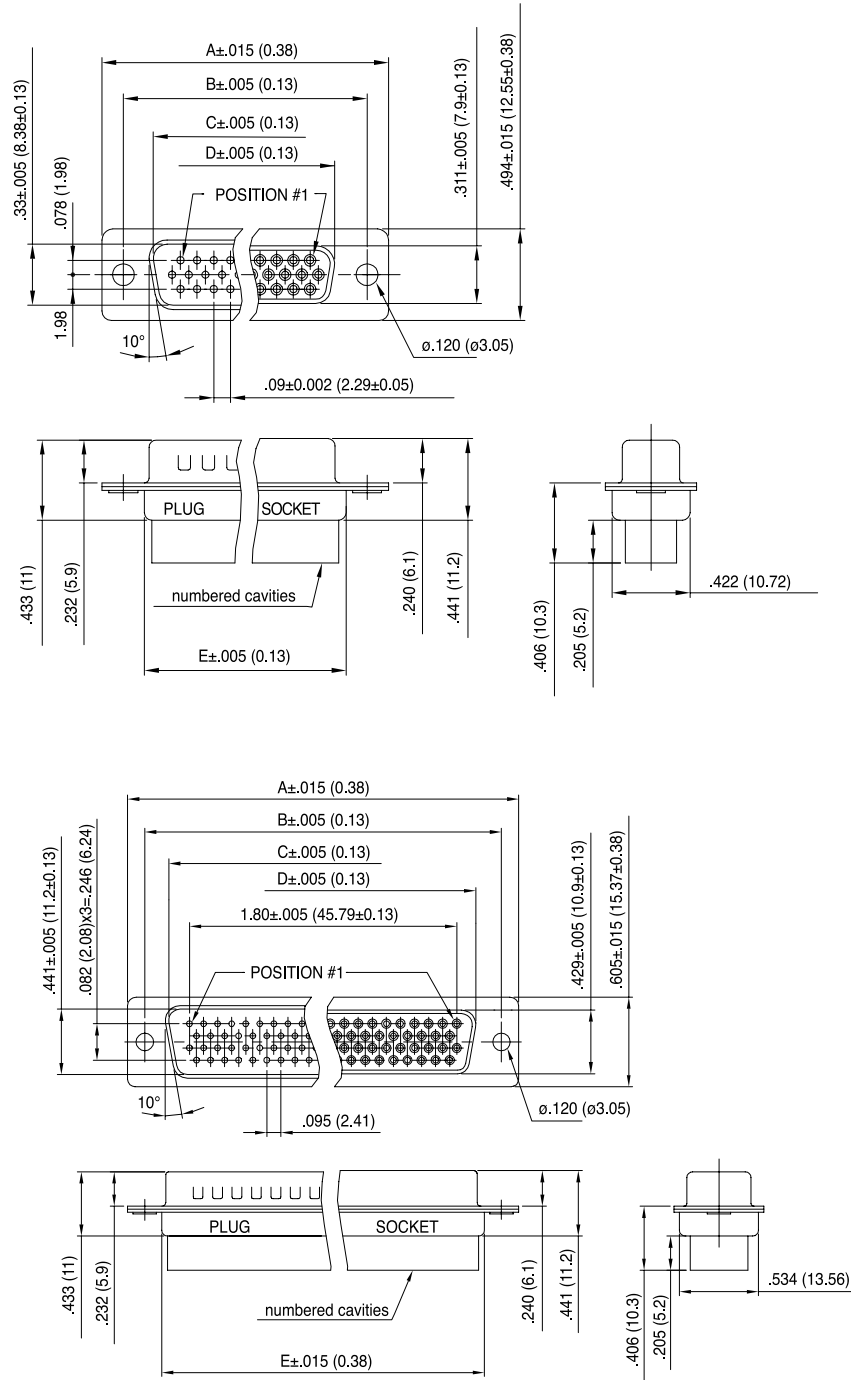
STANDARD DENSITY RR



No. of Contacts	Dimensions					
	A	B	C	D	E	F
9	1.21 (30.84)	.98 (24.99)	.67 (16.92)	.64 (16.24)	.44 (11.09)	.76 (19.28)
15	1.54 (39.24)	1.31 (33.32)	.972 (24.7)	.97 (24.56)	.76 (19.39)	1.08 (27.51)
25	2.09 (53.04)	1.85 (47.04)	1.53 (38.96)	1.51 (38.38)	1.31 (33.24)	1.63 (41.30)
37	2.73 (69.32)	2.50 (63.50)	2.18 (55.3)	2.16 (54.76)	1.96 (49.86)	2.27 (57.71)
50	2.64 (67)	2.41 (61.11)	2.08 (52.86)	2.06 (52.34)	1.75 (44.32)	2.18 (55.3)

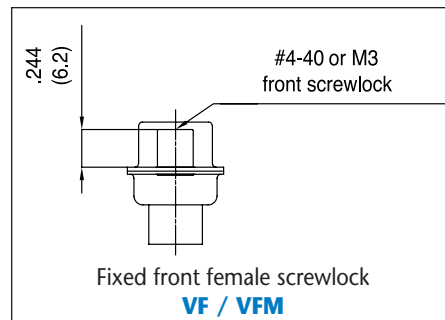
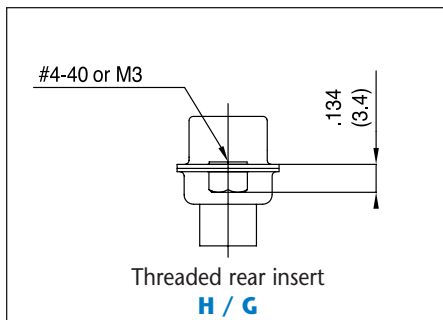
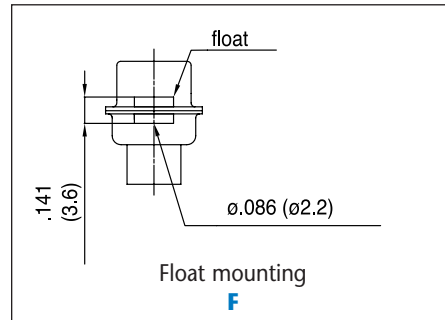
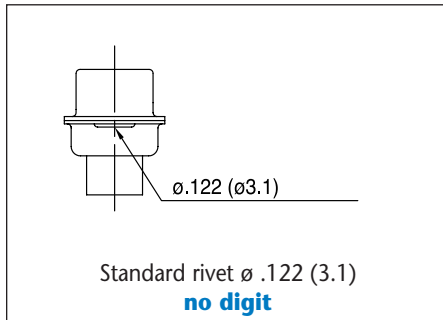
INCHES (MM)

HIGH DENSITY HR

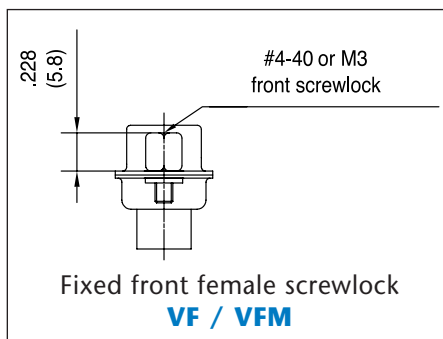
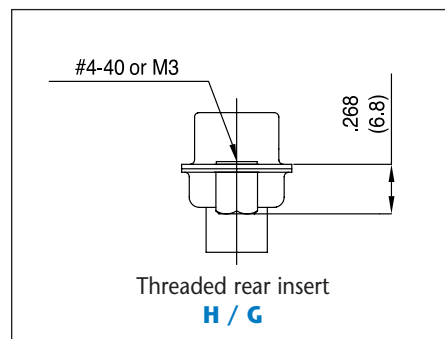
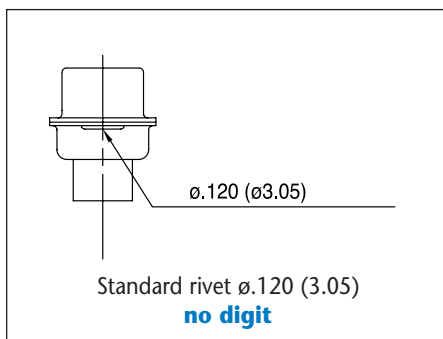


No. of Contacts	Dimensions				
	A	B	C	D	E
15	1.21 (30.84)	.98 (24.99)	.67 (16.92)	.64 (16.24)	.76 (19.28)
26	1.54 (39.24)	1.31 (33.32)	.972 (24.7)	.97 (24.56)	1.08 (27.51)
44	2.09 (53.04)	1.85 (47.04)	1.53 (38.96)	1.51 (38.38)	1.63 (41.30)
62	2.73 (69.32)	2.50 (63.50)	2.18 (55.42)	2.16 (54.76)	2.27 (57.71)
44	2.64 (67)	2.41 (61.11)	2.08 (52.86)	2.06 (52.34)	2.18 (55.3)

PANEL MOUNTING OPTION



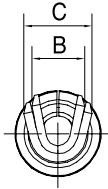
HIGH DENSITY



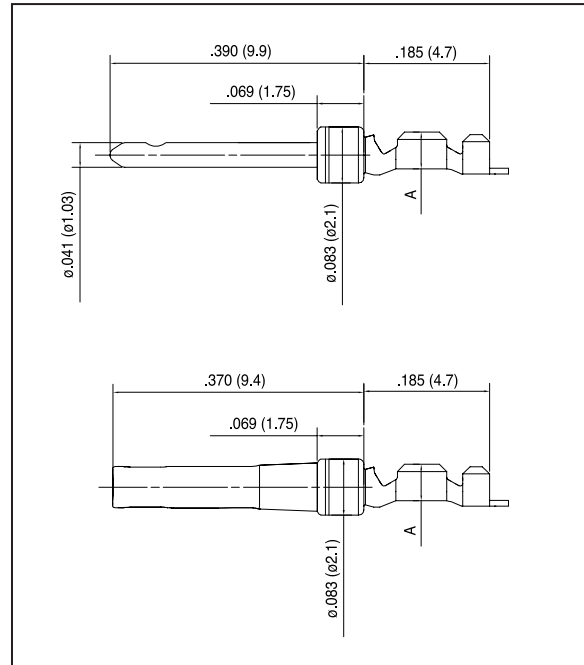
INCHES (MM)

CONTACTS

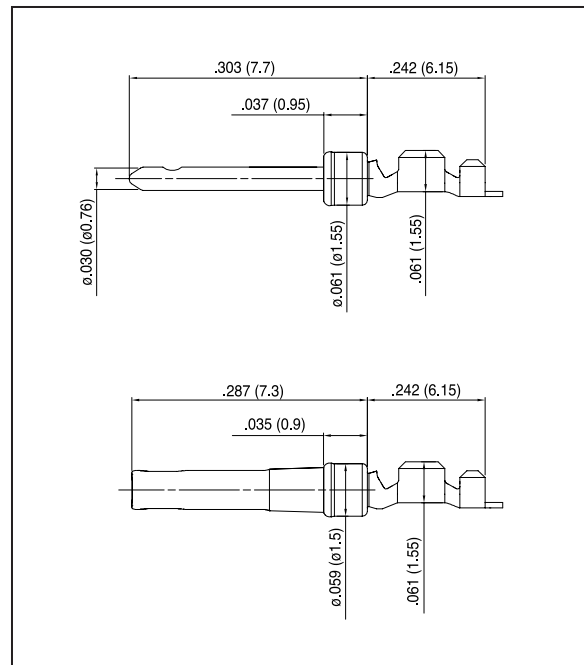
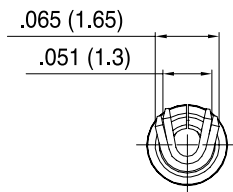
Standard density



AWG	A	B	C
20-24	.071 (1.8)	.075 (1.9)	.098 (2.5)
24-28	.055 (1.4)	.059 (1.5)	.066 (1.7)



High density



**ORDERING INFORMATION - RR (STANDARD DENSITY)**

*Housings*

**XXX - RR - X - X - XX - X - XXX**

**117:** yellow chromated shell  
**177:** tinned shell for receptacle  
**777:** tinned shell + dimples for plug

**Shell Size:** E, A, B, C, D

**Rear Mounting Type :**

- H** rear insert 4-40
- G** rear insert M3
- no digit** standard rivet ø.120 (3.05)
- F** float mounting

**Front Mounting Type :**

- VF** front screwlock 4-40
- VFM** front screwlock M3

**Contact Type:**

- P** pin
- S** socket

**Configuration:**

- 09, 15, 25, 37, 50

*Contacts*

**17 - RR - XX - X - XX - XXX**

**Wire Size:**

- D1:** 20 to 24 AWG
- D2:** 24 to 28 AWG

**Contact Type:**

- M** male
- F** female

**Full Gold Plating:**

- 01** 8µ\*(0.2µm)
- 02** 20µ\*(0.5µm)
- 04** 30µ\*(0.76µm)

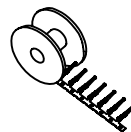
**Selective Gold Plating:**

- 11** 8µ\*(0.2µm) Au  
+ 78µ\*(2µm) SnPb
- 12** 20µ\*(0.5µm) Au  
+ 78µ\*(2µm) SnPb
- 14** 30µ\*(0.76µm) Au  
+ 78µ\*(2µm) SnPb

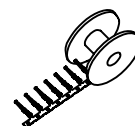
**Packaging :**

- 100** bulkpack unit (100 cts)
- 400** reel of 400 cts
- 2K** reel of 2000 cts
- 10K** reel of 10000 cts (right feed reel)
- 10G** reel of 10000 cts (left feed reel)

REEL WINDING DIRECTION



Left to right feed reel: **G**



Right to left feed reel: **K**

***For special request, please consult factory***

INCHES (MM)

**ORDERING INFORMATION - HR (HIGH DENSITY)**

*Housings*

**XXX - HR - X - X - XX - X - XXX**

**117:** yellow chromated shell  
**177:** tinned shell for receptacle  
**777:** tinned shell + dimples for plug

**Shell Size:** E, A, B, C, D

**Rear Mounting type :**  
**H** rear insert 4-40  
**G** rear insert M3  
**no digit** standard rivet ø.120 (3.05)

**Front Mounting Type :**  
**VF** front screwlock 4-40  
**VFM** front screwlock M3

**Contact Type:**  
**P** pin  
**S** socket

**Configuration:**  
 15, 26, 44, 62, 78

*Contacts*

**17 - HR - D2 - X - XX - XXX**

**Wire Size:**  
24 to 28 AWG


**Contact Type:**  
**M** male  
**F** female

**Full Gold Plating:**  
**01** 8µ\* (0.2µm)  
**02** 20µ\* (0.5µm)  
**04** 30µ\* (0.76µm)

**Selective Gold Plating:**  
**11** 8µ\* (0.2µm) Au + 78µ\* (2µm) SnPb  
**12** 20µ\* (0.5µm) Au + 78µ\* (2µm) SnPb  
**14** 30µ\* (0.76µm) Au + 78µ\* (2µm) SnPb

**Packaging :**  
**5K** reel of 5000 cts (right feed reel)  
**5G** reel of 5000 cts (left feed reel)  
**10K** reel of 10000 cts (right feed reel)  
**10G** reel of 10000 cts (left feed reel)

REEL WINDING DIRECTION



Left to right feed reel: **G**      Right to left feed reel: **K**

***For special request, please consult factory***

**TOOLING FOR CRIMP CONTACTS**

For standard density crimp contacts: 17RR series

- Contact insertion and removal tool 17D 438 SP
- Hand crimp tool for single contacts AWG 20 to 28 17D 440 SP
- Hand crimp tool for reels of 400 contacts FA 0000 762
  - crimp dies: AWG 20 to 24 FA 0000 104
  - crimp dies: AWG 24 to 28 FA 0000 102
- Stripping box FE 0400
- Automatic crimp machine for reels of 2000 to 10000 contacts 970 MC
  - crimp dies: AWG 20 to 24 968 MC
  - crimp dies: AWG 24 to 28 972 MC

For high density crimp contacts: 17HR series

- Automatic crimp machine for reels of 2000 to 10000 contacts 970 MC
  - crimp dies: AWG 24 to 28 973 MC