

PLEASE CHECK WWW.MOLEX.COM FOR LATEST PART INFORMATION

Part Number: [501648-1000](#)
Status: **Active**
Overview: iGrid™ Wire-to-Board Dual-Row System
Description: 2.00mm Pitch iGrid™ Wire-to-Board Crimp Terminal, Female, 26-28 AWG, Reel

Documents:

[Drawing \(PDF\)](#) [RoHS Certificate of Compliance \(PDF\)](#)
[Product Specification PS-501646-001 \(PDF\)](#)

General

Product Family	Crimp Terminals
Series	501648
Application	Signal
Crimp Quality Equipment	Yes
Overview	iGrid™ Wire-to-Board Dual-Row System
Product Name	iGrid™
UPC	822350357470

Physical

Durability (mating cycles max)	30
Gender	Receptacle
Material - Metal	Copper Alloy
Material - Plating Mating	Tin
Net Weight	76.000/mg
Packaging Type	Reel
Termination Interface: Style	Crimp or Compression
Wire Insulation Diameter	0.85-1.40mm
Wire Size AWG	26, 28
Wire Size mm²	0.079-0.136

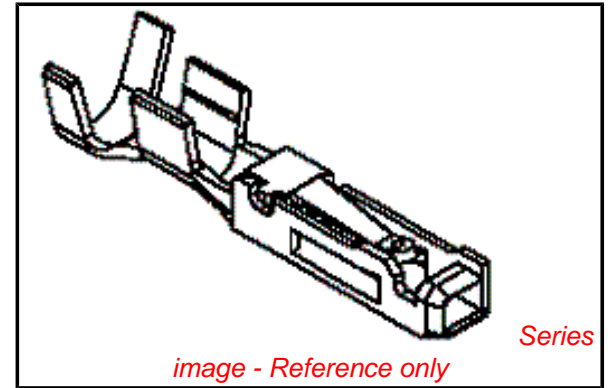
Electrical

Current - Maximum per Contact	1.5A
Voltage - Maximum	250V AC (RMS)/DC

Material Info

Reference - Drawing Numbers

Crimp Specification	CS-501648-001
Product Specification	PS-501646-001, RPS-501646-001, RPS-501646-002, RPS-501646-006, RPS-501646-007, RPS-501646-008, RPS-501646-011, RPS-501646-012, RPS-501646-015, RPS-501646-017
Sales Drawing	SD-501648-001



EU RoHS

ELV and RoHS Compliant
REACH SVHC Contains SVHC: No
Low-Halogen Status Low-Halogen

China RoHS



Need more information on product environmental compliance?

Email productcompliance@molex.com
 For a multiple part number RoHS Certificate of Compliance, [click here](#)

Please visit the [Contact Us](#) section for any non-product compliance questions.

Search Parts in this Series

501648Series

Mates With

501645 Vertical Header . 501676 Right Angle Header

Use With

501646 Receptacle Housing

Application Tooling | FAQ

Tooling specifications and manuals are found by selecting the products below. Crimp Height Specifications are then contained in the Application Tooling Specification document.

Global

Description	Product #
Hand Crimp Tool for 2.00mm Pitch Wire-to-Board Crimp Terminals, 26-28 AWG Wire	0638192400

T2 Terminator	<u>0638518100</u>
Tooling Die	
Manual Extraction	<u>0638131500</u>
Tool	
FineAdjust™	<u>0638618100</u>
Applicator	
Extraction Tool	<u>0638132700</u>

Japan

Description	Product #
Side-Feed Applicator	<u>5780213200</u>
for Fully-Auto	
Machine, 22-26	
AWG Wire	
Applicator for M21 1A	<u>5780213000</u>
Bench Press, 22-26	
AWG Wire	
Hand Crimp Tool -	<u>5780215400</u>
Straight Action	

This document was generated on 12/17/2014

PLEASE CHECK WWW.MOLEX.COM FOR LATEST PART INFORMATION