




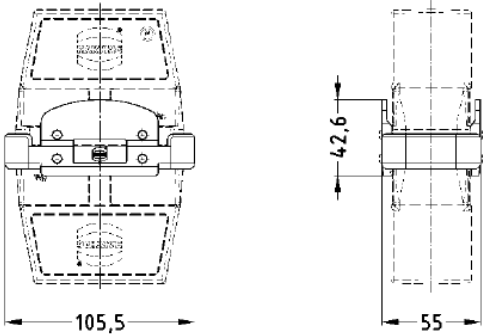

Locking element for hoods and housings

## Features

- Cable to cable connection simple to realize and easy to mount
- Resistant elastomer
- Locking as well as seal combined in one system
- Protection degree IP65 in locked position
- For two lever locking system

## Technical characteristics

Material	NBR
Colour	black
Limiting temperatures	-40 °C ... +85 °C
Protection degree acc. to DIN EN 60 529 in locked position	IP65

Identification	Part-Number	Size	Drawing	Dimensions in mm
<p>Han® Hood Link</p> <p>for Han® B standard hoods</p> 	09 30 016 9901	16 B		
<p>Han® Hood Link</p> <p>for Han® B surface mounted housings bulkhead mounted housings and cable to cable hoods</p> 	09 30 016 9801	16 B	