

40mm sq.

San Ace 40

10mm thick (9P type), 15mm thick (9GA type),
15mm thick (9P type), 20mm thick (9GA type),
 20mm thick (9P type), 28mm thick (9GA type),
 28mm thick (9GE type), 28mm thick (9GV type),
 28mm thick (9P type)



General Specifications

- Material Frame: Plastics (Flammability: UL94V-0),
 Impeller: Plastics (Flammability: UL94V-1)
- Expected Life Refer to specifications (L10:Survival rate:90% at 60°C ,
 rated voltage, and continuously run in a free air state)
- Lead Wire ⊕red ⊖black or blue (Sensor) yellow
- Storage Temperature -30°C to +70°C (Non-condensing)

40×40×15mm (Mass : 32g) **9P type**

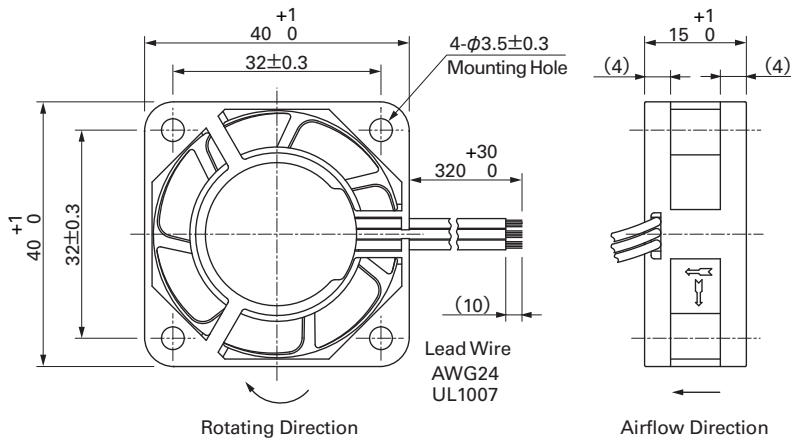
Specifications

The following nos. **have pulse sensors and ribs.**

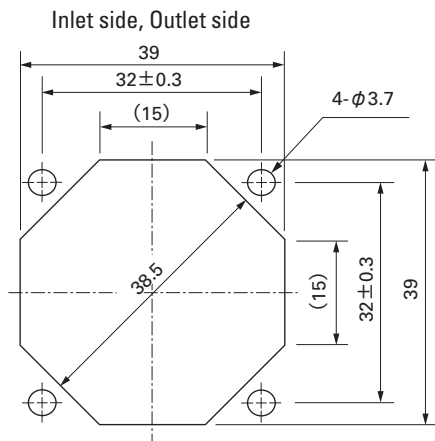
Model No.	Rated Voltage [V]	Operating Voltage Range [V]	Rated Current [A]	Rated Input [W]	Rated Speed [min ⁻¹]	Max. Airflow [m ³ /min] [CFM]	Max. Static Pressure [Pa] [inchH ₂ O]	SPL [dB(A)]	Operating Temperature [°C]	Expected Life [h]
109P0405H701	5	4.5 to 5.5	0.28	1.4	7,700	0.18 6.4	75.5 0.303	28	- 20 to +60	60,000
109P0405M701			0.21	1.05	6,500	0.15 5.3	53 0.213	24		
109P0412R701	12	7 to 13.8	0.13	1.56	9,700	0.227 8.0	111.9 0.449	34	- 20 to +70	40,000
109P0412S701			0.18	2.16	8,600	0.2 7.06	92.1 0.369	32		
109P0412H701			0.13	1.56	7,700	0.18 6.4	75.5 0.303	28		
109P0412M701			0.095	1.14	6,500	0.15 5.3	53 0.213	24		
109P0424H701	24	20.4 to 27.6	0.08	1.92	7,700	0.18 6.4	75.5 0.303	28		

Some models can also be equipped without sensors as an option. Please refer to the index (pp. 417 to 437).

Dimensions (unit : mm)



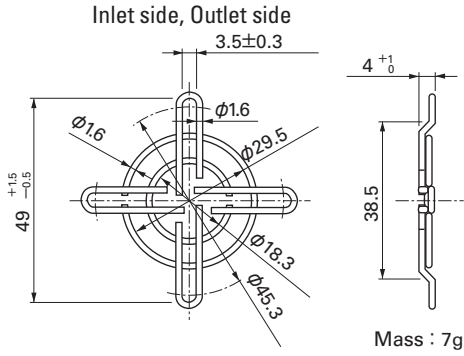
Reference Dimension of Mounting Holes and Vent Opening (unit : mm)



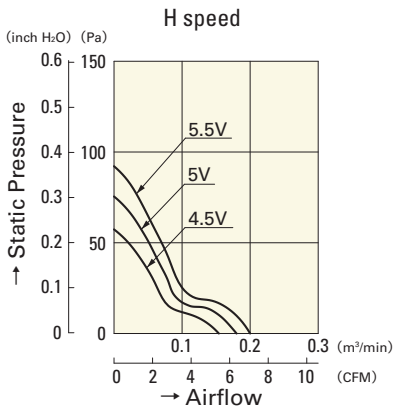
Finger Guards

Model : 109-059 Surface treatment : Nickel-chrome plating (silver)
 : 109-059H : Cation electropainting (black)

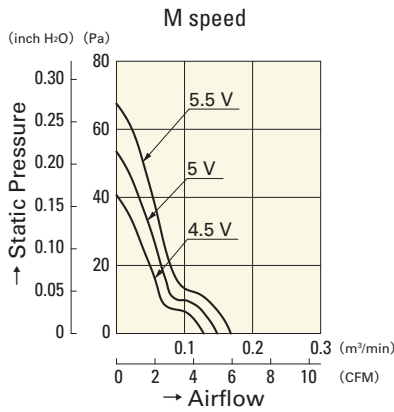
Color



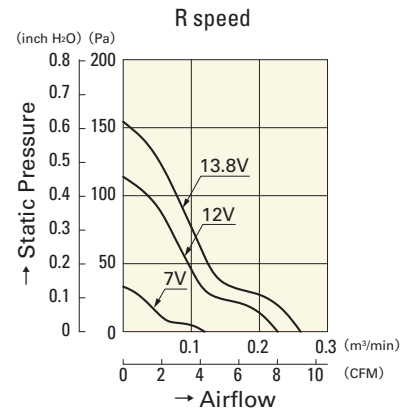
Airflow - Static Pressure Characteristics



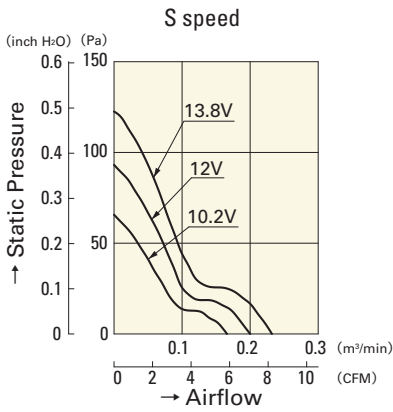
109P0405H701



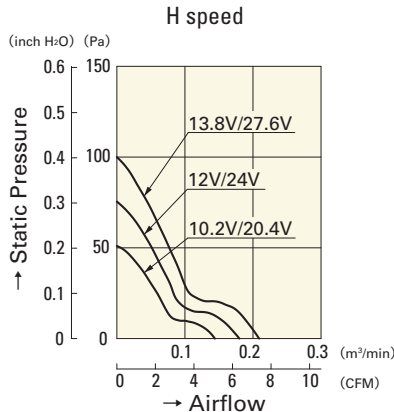
109P0405M701



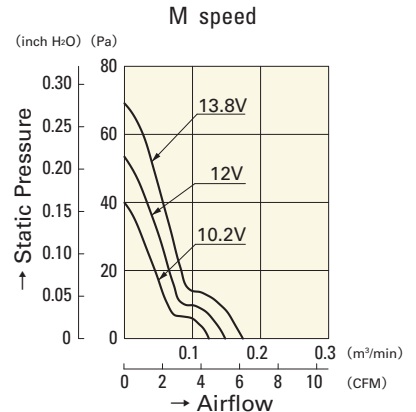
109P0412R701



109P0412S701



109P0412H701
109P0424H701



109P0412M701