

**80**mm sq.

# San Ace 80

80mm thick (CRA type), 80mm thick (CR type)



**General Specifications** With a pulse sensor Specifications for pulse sensors ⇔ Refer to Page 297

- Material ..... Frame: Plastics (Flammability: UL94V-0),  
Impeller: Plastics (Flammability: UL94V-1)
- Expected Life ..... Varies for each model (L10: Survival rate: 90% at 60°C, rated voltage, and continuously run in a free air state)
- Lead Wire ..... Inlet ⊕red ⊖black Sensor yellow  
Outlet ⊕orange ⊖gray Sensor purple
- Storage Temperature ..... -30°C to +70°C (Non-condensing)

**80×80×80**mm (Mass : 350g)

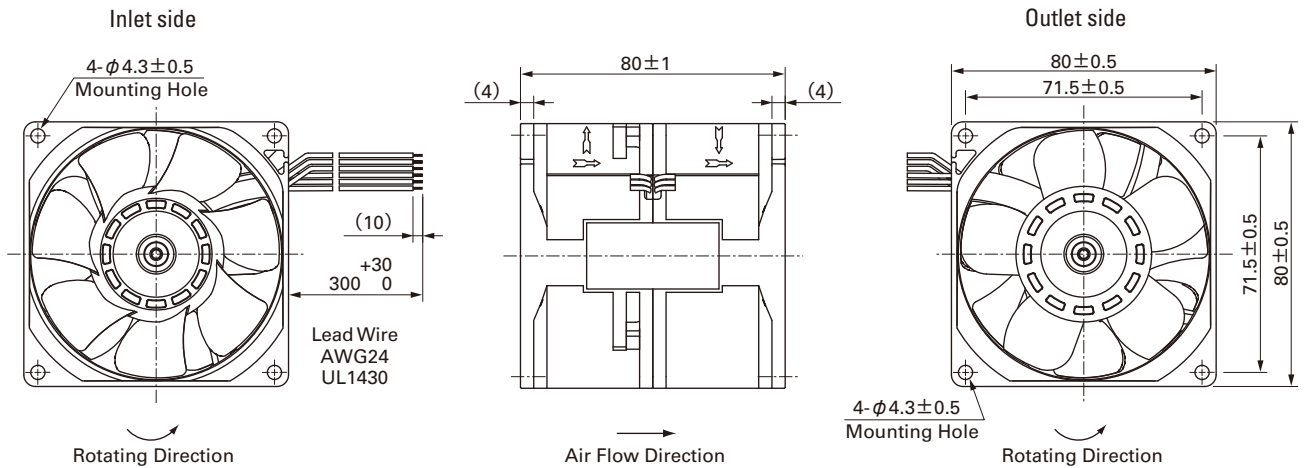
**CR type**

**Specifications**

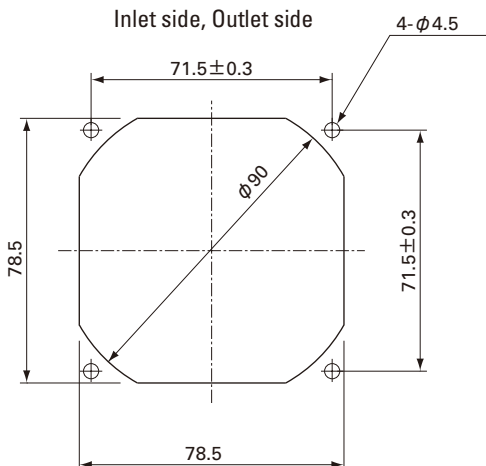
Model No.	Rated Voltage [V]	Operating Voltage Range [V]	Rated Current [A]	Rated Input [W]	Rated Speed [min <sup>-1</sup> ]		Max. Air Flow [m <sup>3</sup> /min] [CFM]		Max. Static Pressure [Pa] [inchH <sub>2</sub> O]		SPL [dB(A)]	Operating Temperature [°C]	Expected Life [h]
					Inlet	Outlet							
9CR0812S801	12	10.8 to 13.2	5.5	66.0	8,000	5,300	4.53	160	520	2.09	71	-10 to +60	40,000
9CR0812H801			3.6	43.2	7,000	4,600	3.97	140	400	1.61	68		

Without Sensor Pulse Sensor Available in all models. Lock Sensor PWM Control Please inquire as the availability of these functions depend on the model.

**Dimensions (Unit : mm)**



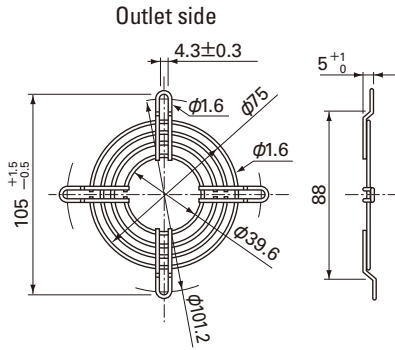
**Reference dimension of mounting holes and vent opening (Unit : mm)**



## Options (Unit : mm)

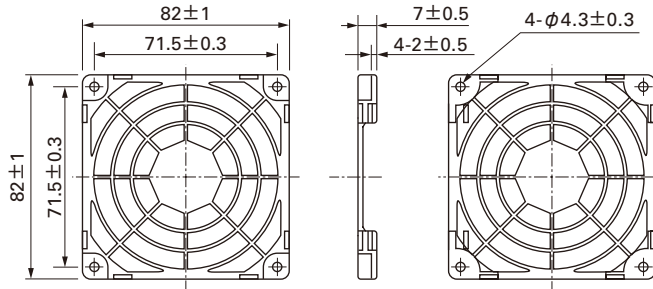
### Finger guards

Model : 109-049C Color (silver)  
Surface treatment : Nickel-chrome plating (silver)



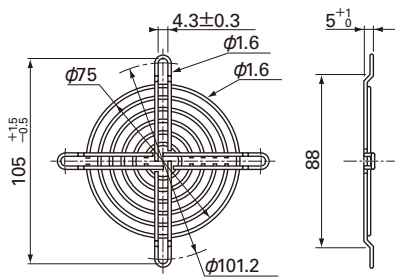
### Resin finger guards

Model : 109-1002G



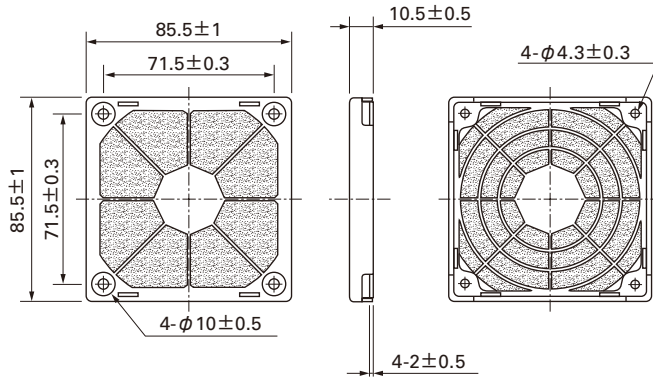
Model : 109-049E Color (silver)  
Surface treatment : Nickel-chrome plating (silver)  
: 109-049H : Cation electropainting (black)

### Inlet side, Outlet side



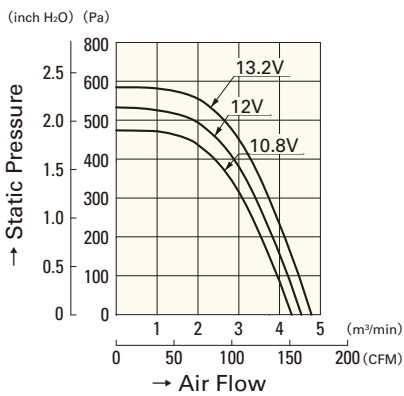
### Resin filter kits

Model : 109-1002F13 (13PPI), 109-1002F20 (20PPI)  
: 109-1002F30 (30PPI), 109-1002F40 (40PPI)



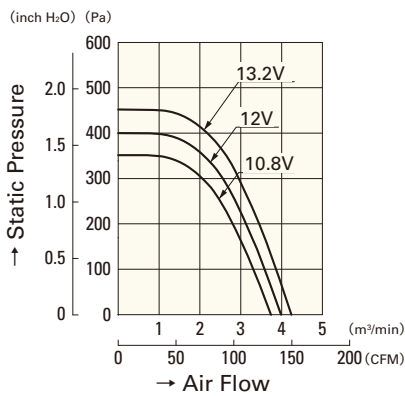
## Air Flow - Static Pressure Characteristics

### S speed



9CR0812S801

### H speed



9CR0812H801