

80mm sq.

San Ace 80

15mm thick (9GA type), 15mm thick (9P type), 20mm thick (9GA type)
 20mm thick (9P type), 25mm thick (9GA type), 25mm thick (9S type)
 25mm thick (9GV type), 25mm thick (9R type)
 25mm thick (San Cooler) (9A type), 32mm thick (9GA type)
 32mm thick (9P type), 38mm thick (9HV type), 38mm thick (9GA type)
 38mm thick (9GV type), 38mm thick (9G type)



General Specifications

- Material Frame: Plastics (Flammability: UL94V-0),
Impeller: Plastics (Flammability: UL94V-1)
- Expected Life Refer to specifications (L10:Survival rate:90% at 60°C ,
rated voltage, and continuously run in a free air state)
- Lead Wire ⊕red ⊖black (Sensor) yellow (Control) brown
- Storage Temperature -30°C to +70°C (Non-condensing)

80×80×38mm (Mass : 220g) **9GV type**

Specifications

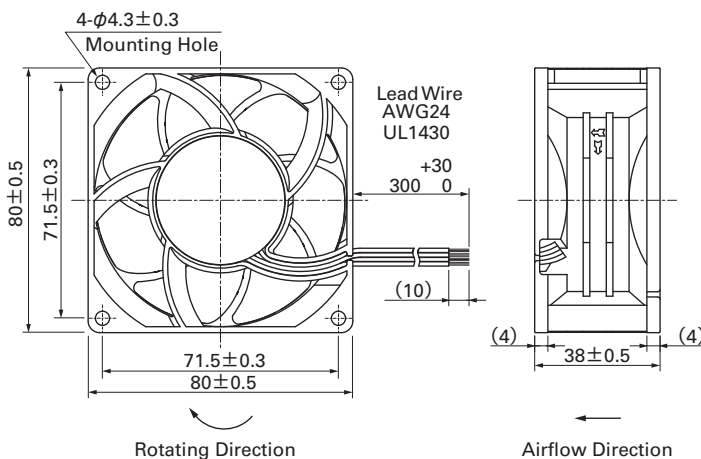
The following nos. **have PWM controls, pulse sensors, and ribs.** For ribless, append "1" to the model no.

Model No.	Rated Voltage [V]	Operating Voltage Range [V]	PWM duty cycle※ [%]	Rated Current [A]	Rated Input [W]	Rated Speed [min ⁻¹]	Max. Airflow [m ³ /min] [CFM]	Max. Static Pressure [Pa] [inchH ₂ O]	SPL [dB(A)]	Operating Temperature [°C]	Expected Life [h]
9GV0812P1G03	12	10.8 to 13.2	100	3.80	45.60	10,200	3.90 138.0	490.0 1.97	65	-20 to +70	40,000
			0	0.32	3.84	3,000	1.15 40.6	42.4 0.17	34		
9GV0812P1H03			100	3.00	36.00	9,700	3.70 131.0	440.0 1.77	63		
			0	0.20	2.40	2,900	1.11 39.2	39.0 0.16	34		
9GV0812P1F03		10.2 to 13.8	100	1.5	18	8,000	3.05 108.0	301.0 1.21	58		
			0	0.12	1.44	2,400	0.92 32.0	27.1 0.11	26		
9GV0812P1M03	100		0.75	9	6,000	2.29 81.0	169.0 0.68	51			
	0		0.09	1.08	1,700	0.65 23.0	13.6 0.05	19			
9GV0824P1G03	24	20.4 to 27.6	100	1.6	38.40	10,200	3.9 138.0	490.0 1.97	65		
			0	0.3	7.2	4,700	1.79 63.2	104.0 0.41	44		
9GV0848P1G03	48	40.8 to 55.2	100	0.84	40.32	10,200	3.9 138.0	490.0 1.97	65		
			0	0.15	7.2	4,700	1.79 63.2	104.0 0.41	44		

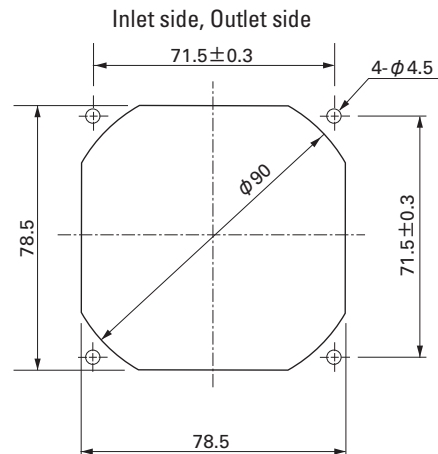
※PWM Frequency : 25kHz

Some models can also be equipped without sensors or with pulse sensors (no PWM control functions) as an option. Please refer to the index (pp. 417 to 437).

Dimensions (unit : mm) (With ribs)

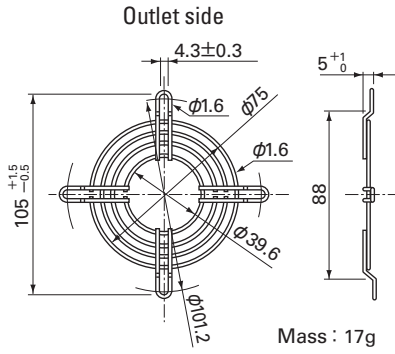


Reference Dimension of Mounting Holes and Vent Opening (unit : mm)



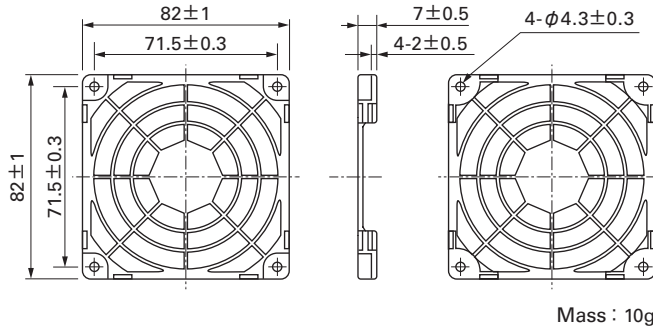
Finger Guards

Model : 109-049C Surface treatment : Nickel-chrome plating (silver) Color (silver)



Resin Finger Guards

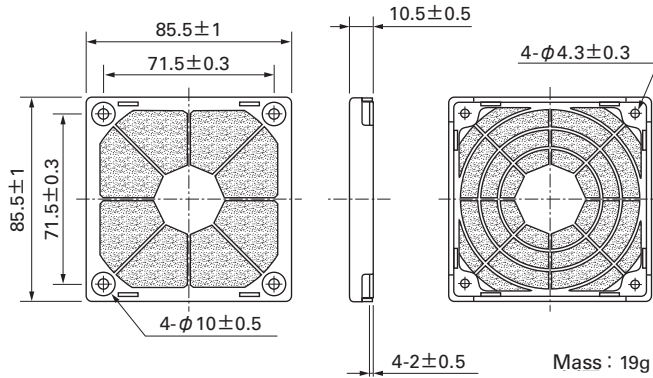
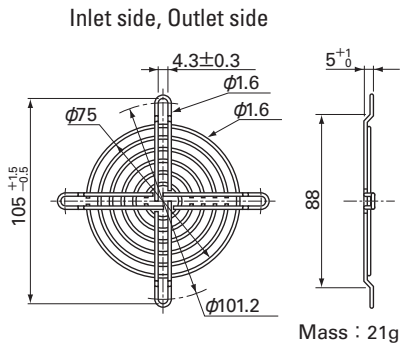
Model : 109-1002G



Model : 109-049E Surface treatment : Nickel-chrome plating (silver) Color (silver)
: 109-049H : Cation electropainting (black)

Resin Filter Kits

Model : 109-1002F13 (13PPI), 109-1002F20 (20PPI)
: 109-1002F30 (30PPI), 109-1002F40 (40PPI)



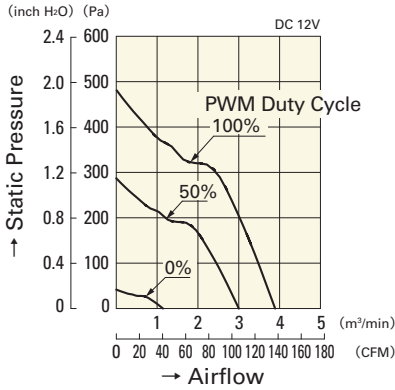
80mm sq.

San Ace 80

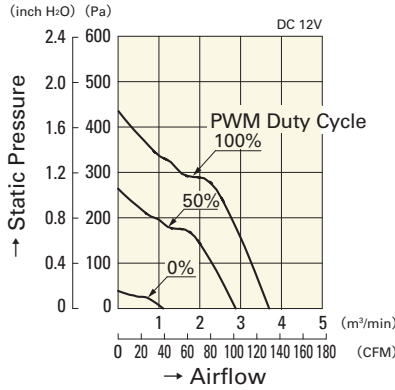
80×80×38mm [Mass : 220g]

Airflow - Static Pressure Characteristics

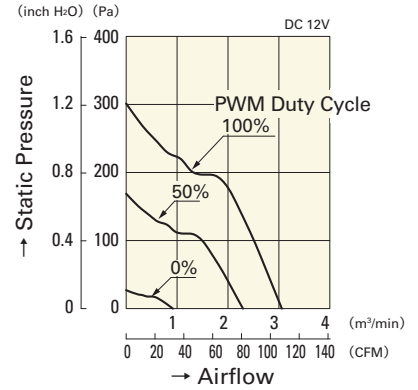
PWM Duty Cycle



9GV0812P1G03

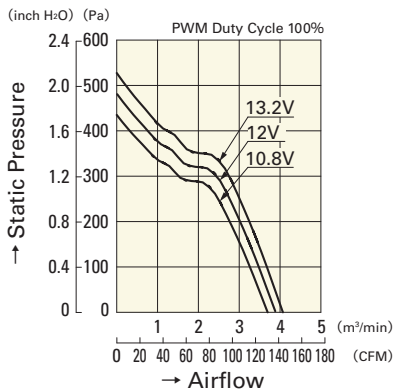


9GV0812P1H03

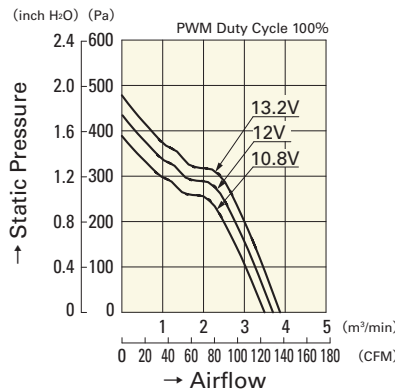


9GV0812P1F03

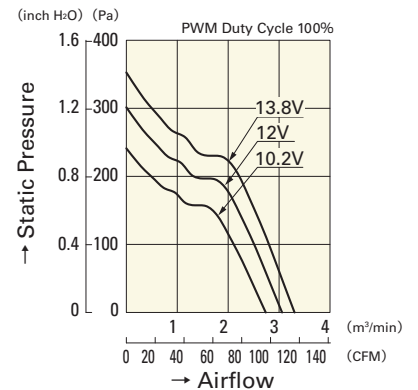
Operating Voltage Range



9GV0812P1G03

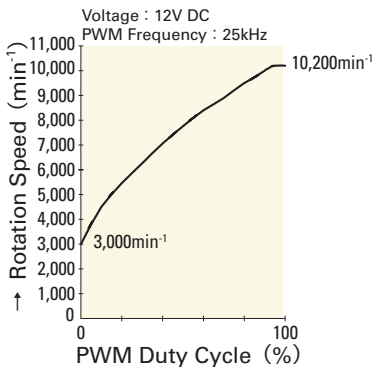


9GV0812P1H03

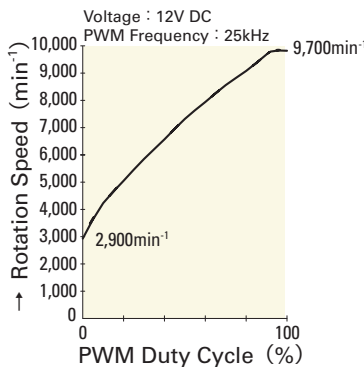


9GV0812P1F03

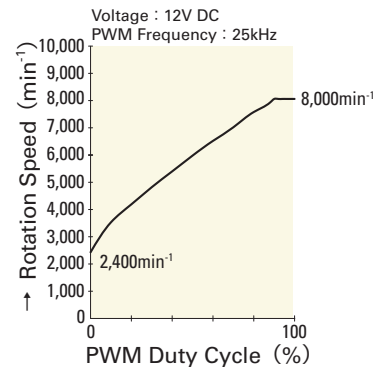
PWM Duty - Speed Characteristics Example



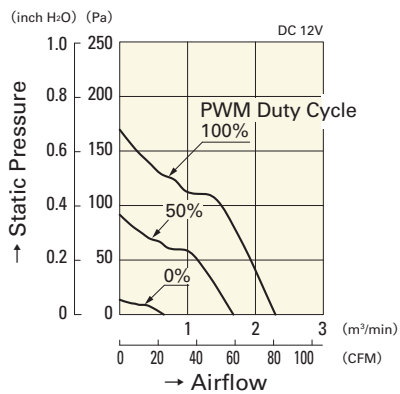
9GV0812P1G03



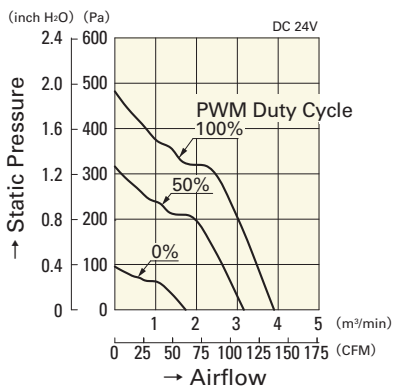
9GV0812P1H03



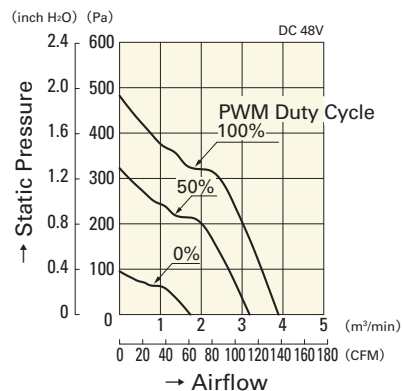
9GV0812P1F03



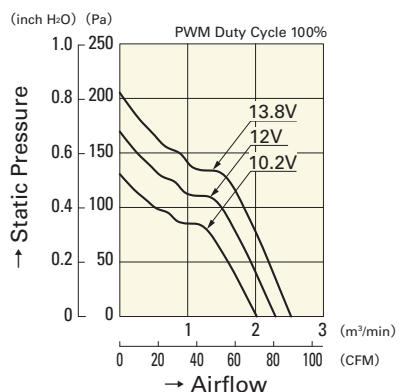
9GV0812P1M03



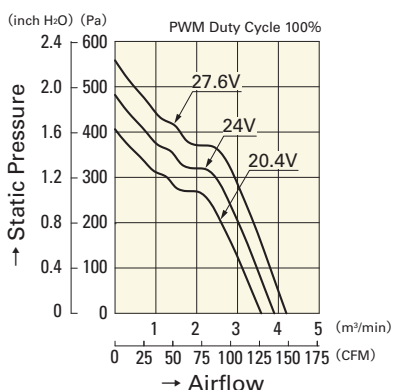
9GV0824P1G03



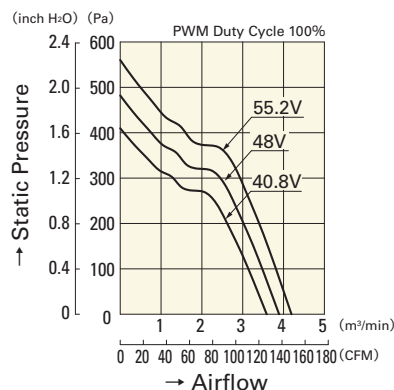
9GV0848P1G03



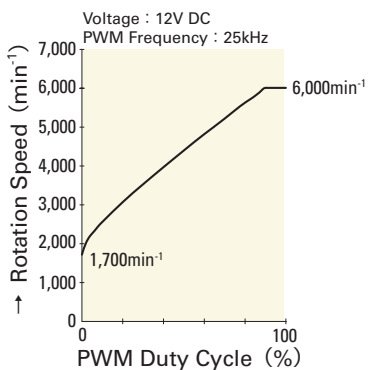
9GV0812P1M03



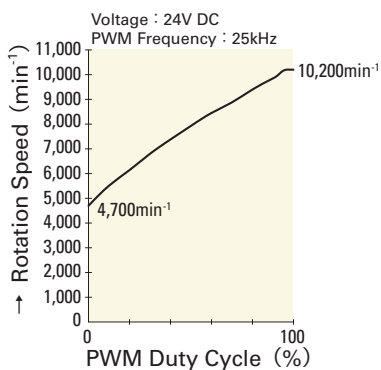
9GV0824P1G03



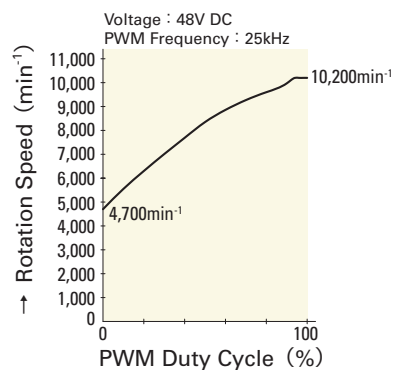
9GV0848P1G03



9GV0812P1M03



9GV0824P1G03



9GV0848P1G03