

**80**mm sq.

# San Ace 80

15mm thick (9GA type), 15mm thick (9P type), 20mm thick (9GA type)  
 20mm thick (9P type), 25mm thick (9GA type), 25mm thick (9S type)  
 25mm thick (9GV type), 25mm thick (9R type)  
 25mm thick (San Cooler) (9A type), 32mm thick (9GA type)  
 32mm thick (9P type), 38mm thick (9HV type), 38mm thick (9GA type)  
 38mm thick (9GV type), 38mm thick (9G type)



## General Specifications

- Material ..... Frame: Plastics (Flammability: UL94V-0),  
 Impeller: Plastics (Flammability: UL94V-1)
- Expected Life ..... Refer to specifications (L10:Survival rate:90% at 60°C ,  
 rated voltage, and continuously run in a free air state)
- Lead Wire ..... ⊕red ⊖black or blue (Sensor) yellow
- Storage Temperature ..... -30°C to +70°C (Non-condensing)

**80×80×15mm** [Mass : 68g] **9P type**

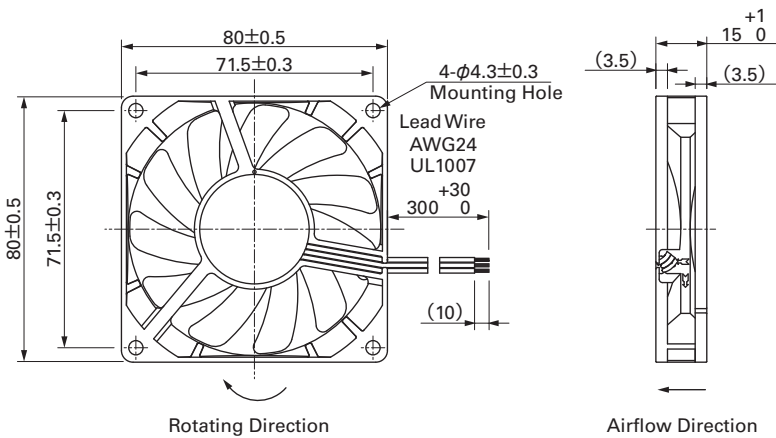
## Specifications

The following nos. **have pulse sensors and ribs.**

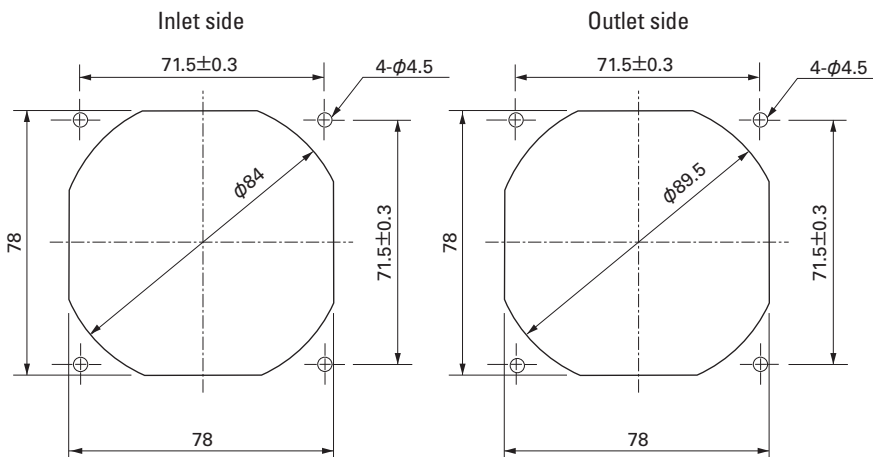
Model No.	Rated Voltage [V]	Operating Voltage Range [V]	Rated Current [A]	Rated Input [W]	Rated Speed [min <sup>-1</sup> ]	Max. Airflow [m <sup>3</sup> /min] [CFM]	Max. Static Pressure [Pa] [inchH <sub>2</sub> O]	SPL [dB(A)]	Operating Temperature [°C]	Expected Life [h]
109P0812H701	12	7 to 13.8	0.2	2.4	3,100	0.91 32.1	29.4 0.118	31	-20 to +70	40,000
109P0812M701			0.09	1.08	2,000	0.57 20.1	12.6 0.051	21		60,000
109P0824H701	24	14 to 27.6	0.1	2.4	3,100	0.91 32.1	29.4 0.118	31		40,000
109P0824M701			0.05	1.2	2,000	0.57 20.1	12.6 0.051	21		60,000

Some models can also be equipped without sensors as an option. Please refer to the index (pp. 417 to 437).

## Dimensions (unit : mm)



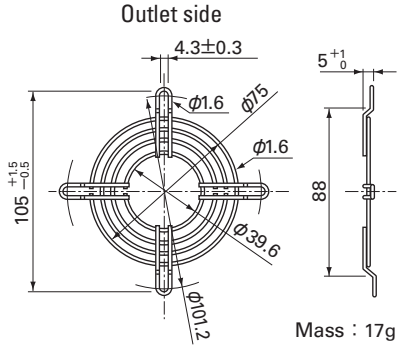
## Reference Dimension of Mounting Holes and Vent Opening (unit : mm)



Options (unit : mm)

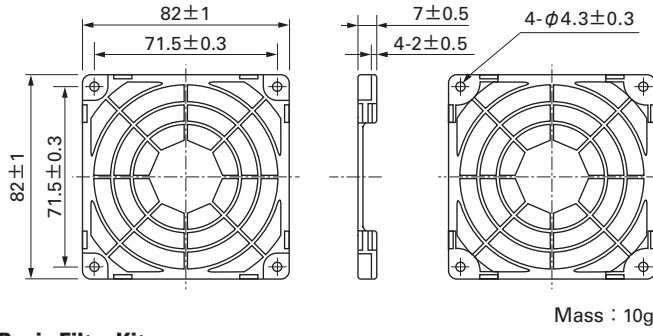
**Finger Guards**

Model : 109-049C Color : Nickel-chrome plating (silver)  
Surface treatment : Nickel-chrome plating (silver)



**Resin Finger Guards**

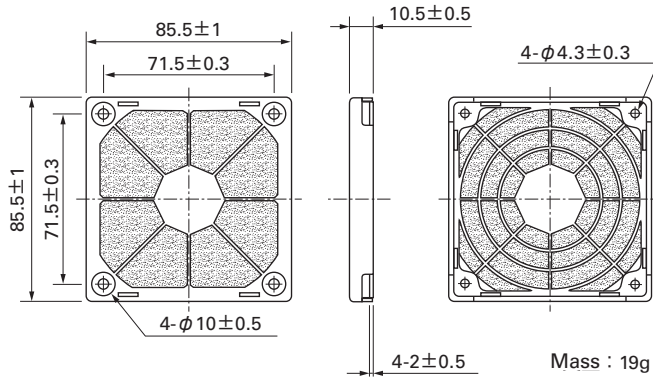
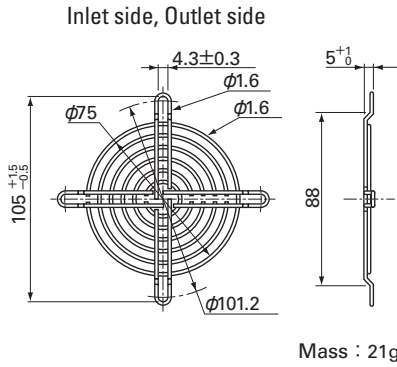
Model : 109-1002G



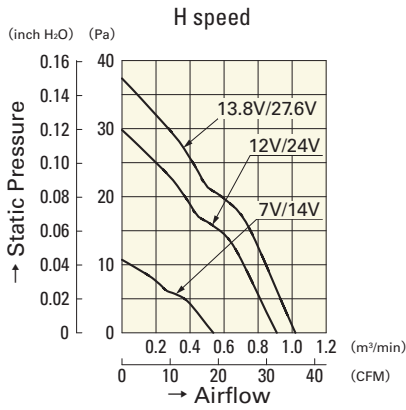
Model : 109-049E Color : Nickel-chrome plating (silver)  
Surface treatment : Nickel-chrome plating (silver)  
: 109-049H : Cation electropainting (black)

**Resin Filter Kits**

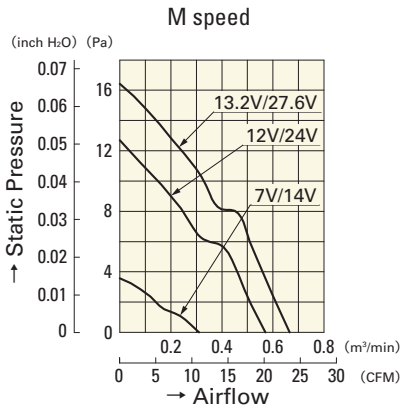
Model : 109-1002F13 (13PPI), 109-1002F20 (20PPI)  
: 109-1002F30 (30PPI), 109-1002F40 (40PPI)



**Airflow - Static Pressure Characteristics**



**109P0812H701**  
**109P0824H701**



**109P0812M701**  
**109P0824M701**