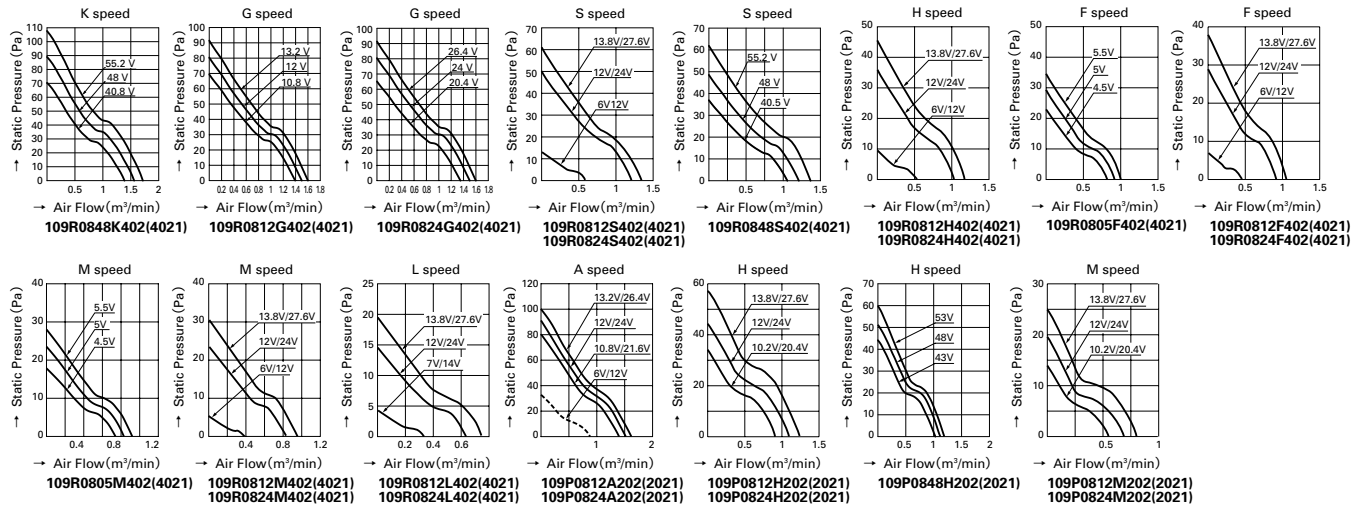


32mm thick Specifications

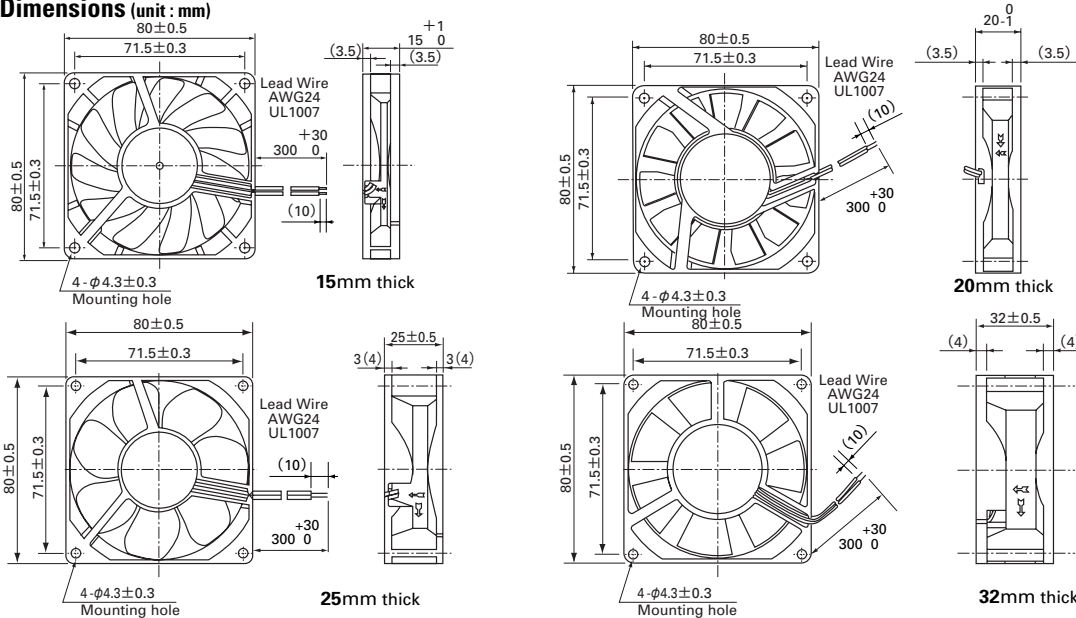
Model No.	Rated Voltage (V)	Operating Voltage Range (V)	Rated Current (A)	Rated Input (W)	Rated Speed (min ⁻¹)	Air Flow (m ³ /min) (CFM)	Static Pressure (Pa) (inchH ₂ O)	Noise (dB [A])	Operating Temperature Range (°C)	Life Expectancy (h)
109P0812A202(2021)	12	6 ~13.2	0.56	6.72	4,600	1.52 53.7	91.1 0.366	45	-10 ~ +55	40,000(+55°C)
109P0812H202(2021)		10.2~13.8	0.16	1.92	3,150	1.05 37.1	43.1 0.173	33	-10 ~ +70	40,000
109P0812M202(2021)			0.07	0.84	2,000	0.65 23.0	18.5 0.074	21		60,000
109P0824A202(2021)	24	12 ~26.4	0.29	6.96	4,600	1.52 53.7	91.1 0.366	45	-10 ~ +60	40,000
109P0824H202(2021)		20.4~27.6	0.09	2.16	3,150	1.05 37.1	43.1 0.173	33	-10 ~ +70	60,000
109P0824M202(2021)			0.04	0.96	2,000	0.65 23.0	18.6 0.075	21		40,000
109P0848H202(2021)	48	43 ~53	0.06	2.88	3,350	1.10 38.9	50.9 0.204	35		40,000

The numbers in () represent ribless models.

Air Flow and Static Pressure Characteristics (25mm thick · 32mm thick)



Dimensions (unit : mm)



Reference dimension of mounting holes and vent opening (unit : mm)

