



Pin Terminals
T&B Catalog Number:

TV10-14PT-XV

UPC Number:

72849414464

Status:

Active

Description:

Insulated Vinyl Pin Terminals for Wire Range 12-10, Yellow

Features

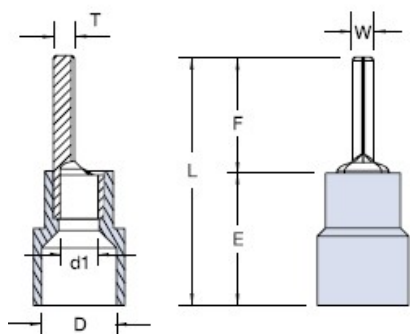
For Use in Pin-Style terminal blocks. Molded Funnel Entry Insulator. Brazed Seam. Internal Barrel Serrations.

General

Insulation Type	Insulated Vinyl
Material	Copper
Finish	Electro -Tin Plated
Color	Yellow
Wire Range	12-10

Dimension Information

d1 (inches)	.134
D (inches)	.252
E (inches)	.512
F (inches)	.551
L (inches)	1.063
T (inches)	.039
W (inches)	.110



Specifications

Temperature Rating	75°C
Voltage Rating	600V
Flammability Rating	UL 94 V-0

Tooling

Application Tools	WT112M, CM2000A
-------------------	-----------------

Packaging

T&B Order Multiple	75
T&B Inner Pack	75
Package in Units	900
T&B Sold in UOM	Each
T&B Weight Per UOM	5 lbs. per 1000

Certifications

RoHS Compliance	Yes
-----------------	-----

Certifications



File Nbr:

E9809

For further technical assistance, please contact us...

Thomas & Betts - USA
 8155 T&B Blvd.
 Memphis, TN 38125

T&B Technical Support
 MS 3B-50
 8155 T&B Blvd.

Hours: 7AM - 6PM CDT
 Monday-Friday
 Phone: (888) 862-3289

