

rotronic

Datenblatt - Fiche technique - Data sheet

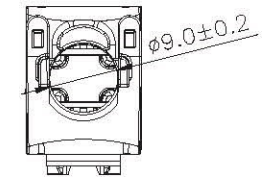
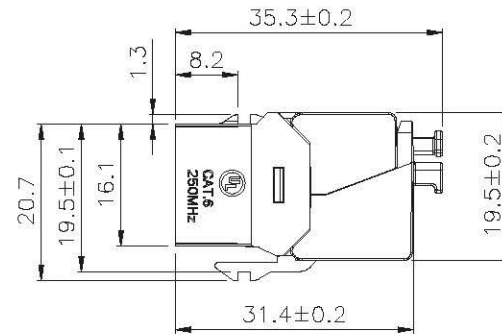
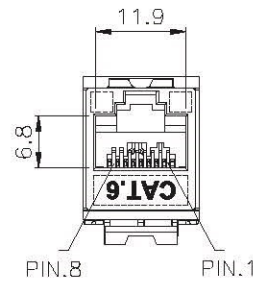
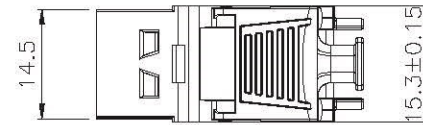
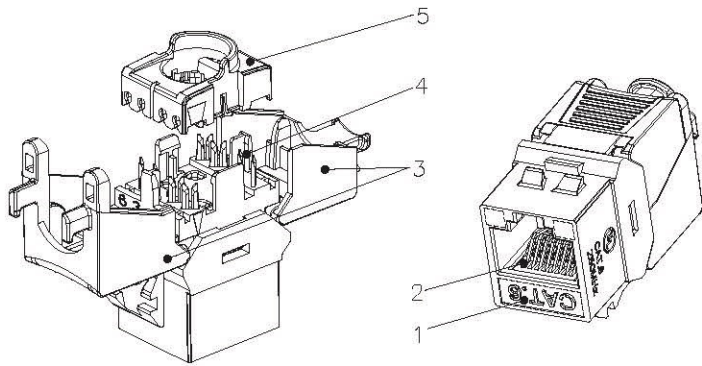
26.11.0375



ROLINE Kat.6 Keystone, ungeschirmt, werkzeuglos, SLIM, schwarz

ROLINE Keystone Cat.6, non blindé, sans outil, SLIM, noir

ROLINE Cat.6/Class E Keystone Jack SLIM, RJ-45, unshielded, toolless, black,



SCALE 1/1

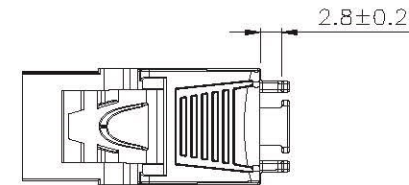
Specification :

Material :

1. RJ45 Jack :
 - 1-1. Housing : ABS+PC, UL 94-V0, black color
 - 1-2. Contact Bracket : PC, UL 94-V2, Transparent color
2. RJ45 Jack Contact :
 - 2-1. Material : Phosphor Bronze with Nickel plated
 - 2-2. Finish : 50 micro-inch Gold plated on Plug contact area
3. Cap A&B : PC+Fiber, Grey color
4. IDC :
 - 4-1. Housing : PC+Glass Fiber, White color, UL 94-V2
 - 4-2. Terminal : Phosphor Bronze with Tin plated
5. IDC Cap : PC+Glass Fiber, White color, UL 94-V2
6. PCB : FR4, UL 94-V0

Performance :

- a. T568A & T568B wiring
- b. Insertion Force : 20N max. (IEC 60603-7-4)
- c. Retention Strength : 7.7 kg between Jack and Plug
- d. Operating Temperature : -10°C to 60°C. (ANSI/TIA 568 C.2)
- e. Life(mating cycles) :
 - e-1. Jack : 750 cycles min. (IEC 60603-7-4)
 - e-2. IDC : Suitable for 23-26 AWG stranded and solid wire
 - e-3. Tool-less : When using the IDC Cap for wire management
- f. The Cat.6 transmission performance is in compliance with the ANSI/TIA 568 C.2 standard



Item No.	26.11.0375		
Description	ROLINE Cat. 6 Keystone Adapter, UTP, Slim type, toolless, black		
*#: Matching DIM. *#: Important DIM. Others General DIM.	DRAWING	11.SEP.2014	byz
	CHECK	11.SEP.2014	Jane
	APPROVAL	11.SEP.2014	Frank
GENERAL TOLERANCE OF DIMENSIONS	DATE	NAME	
	SCALE	1/1 (A4)	UNIT mm
X.XXX ±0.005 X.XX ±0.05 X.X ±0.1	DRAWING NO.		
DRAWING CLASSIFICATION		S	SHEET 1 OF 1

No.	MODIFIED AREA	ORIGINAL	MODIFY	DATE	MODIFIER