

PLEASE CHECK WWW.MOLEX.COM FOR LATEST PART INFORMATION

Part Number: [87779-1001](#)
Status: **Active**
Overview: [Micro Serial ATA Connectors](#)
Description: 1.27mm Pitch Serial ATA Backplane Receptacle, Through Hole, Vertical, SIL, Standard Height, 0.76µm Gold (Au) Selective, 22 Circuits, Lead-Free

Documents:

[3D Model](#) [RoHS Certificate of Compliance \(PDF\)](#)
[Drawing \(PDF\)](#) [Product Literature \(PDF\)](#)
[Product Specification PS-87779-011 \(PDF\)](#)

Agency Certification

CSA LR19980
 UL E29179

General

Product Family PCB Receptacles
 Series [87779](#)
 Application Board-to-Board, Signal
 Electrical Model Yes
 Overview [Micro Serial ATA Connectors](#)
 Product Literature Order No SNG-029
 Product Name Serial ATA
 UPC 822348731916

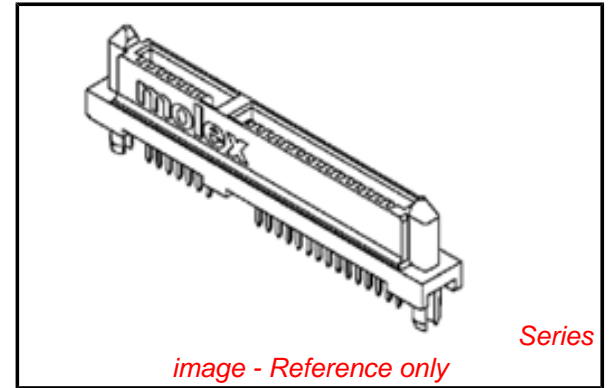
Physical

(p)ower-(s)ignal Configuration 15p - 7s
 Circuits (Loaded) 22
 Circuits (maximum) 22
 Durability (mating cycles max) 500
 Flammability 94V-0
 Glow-Wire Compliant No
 Lock to Mating Part Yes
 Material - Plating Mating Gold
 Material - Plating Termination Tin
 Net Weight 1.354/g
 Number of Rows 1
 Orientation Vertical
 PC Tail Length 3.45mm
 PCB Locator Yes
 PCB Retention None
 PCB Thickness - Recommended 0.80mm, 2.50mm
 Packaging Type Tray
 Pitch - Mating Interface 1.27mm
 Plating min - Mating 0.762µm
 Plating min - Termination 2.540µm
 Polarized to Mating Part Yes
 Polarized to PCB Yes
 Surface Mount Compatible (SMC) Yes
 Temperature Range - Operating -40°C to +105°C
 Termination Interface: Style Surface Mount

Electrical

Current - Maximum per Contact 1.5A
 Voltage - Maximum 30V

Solder Process Data



EU RoHS

ELV and RoHS Compliant
REACH SVHC Contains SVHC: No
Low-Halogen Status Low-Halogen

China RoHS



Need more information on product environmental compliance?

Email productcompliance@molex.com
 For a multiple part number RoHS Certificate of Compliance, [click here](#)

Please visit the [Contact Us](#) section for any non-product compliance questions.

Search Parts in this Series

[87779Series](#)

Mates With

[87703 Serial ATA Combo Plug](#), [87799 Serial ATA Combo Plug](#)

Duration at Max. Process Temperature (seconds)	10
Lead-free Process Capability	SMC & Wave Capable (TH only)
Max. Cycles at Max. Process Temperature	1
Process Temperature max. C	260

Material Info

Reference - Drawing Numbers

Electrical Model Document	EE-87779-001, EE-87779-002
Product Specification	PS-87779-011
Sales Drawing	SD-87779-020

This document was generated on 12/22/2014

PLEASE CHECK WWW.MOLEX.COM FOR LATEST PART INFORMATION