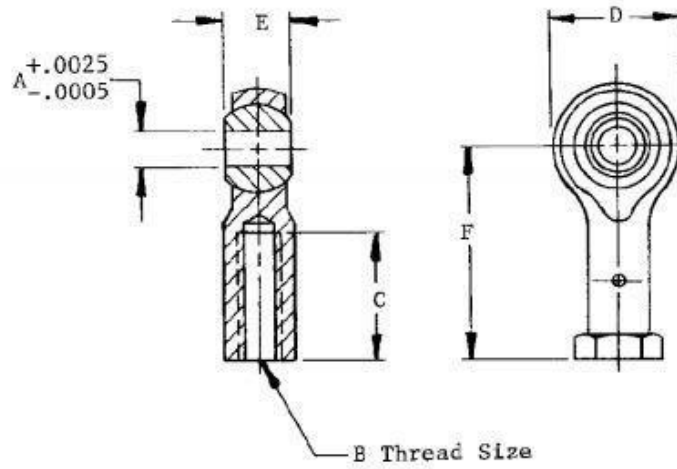


1. PART NUMBER AND CHARACTERISTICS



AMP Part No	A	B	C	D	E	F	Mfr Part No
20607-1	.3750	3/8-24UNF	.69	1.00	.50	1.62	CFF-6

1.1. All dimensions are nominal unless otherwise specified.

1.2. Material:

Outer member: Low carbon steel, corrosion protective finish
 Ball: SAE52100 hardened chrome steel