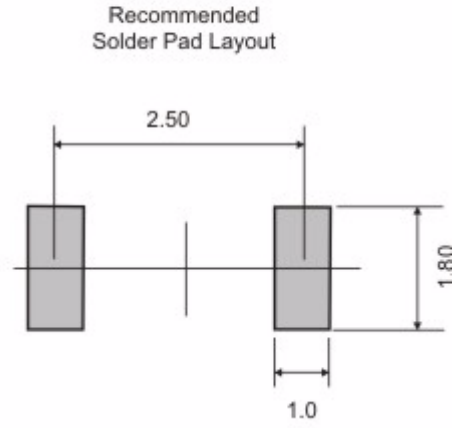
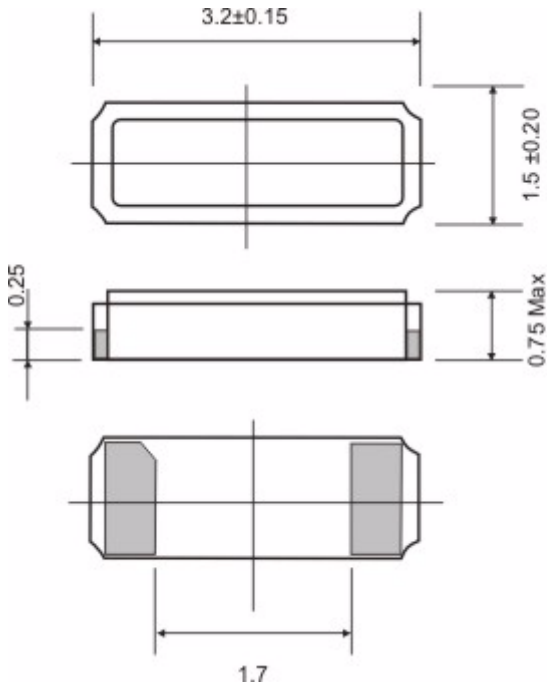




**SPECIFICATION
CONTROL DRAWING
Crystal Resonator**

FREQUENCY
32.768000kHz



Holder Style	SX430A
Mode	Fundamental
Adjustment Tolerance	± 20PPM at 25°C
Temperature Stability	± -.035 PPM
Operating Temp. Range	-40°C to +85°C
Load Capacitance	6 pF
ESR	60000 Ohm
Ageing	+/-3
Marking	STD

Amdt Date	Change Note	AEL Code
		X32K768S300
		Issue Ref A