

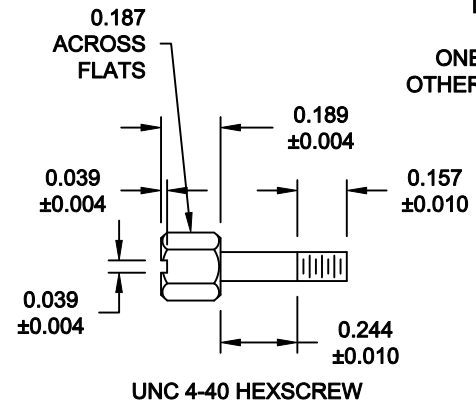
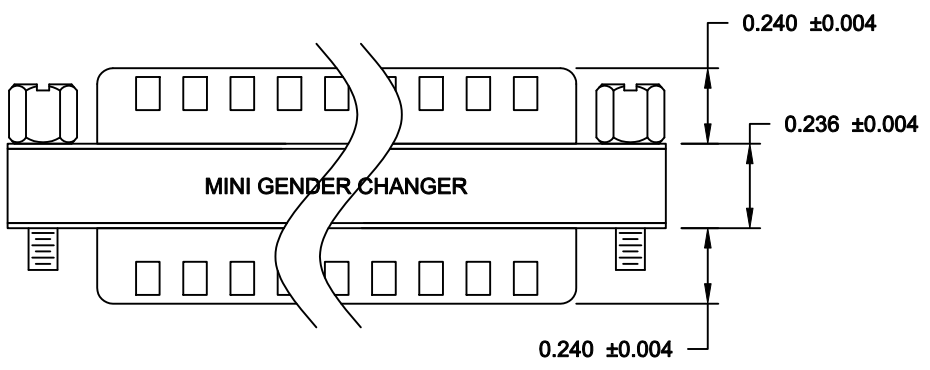
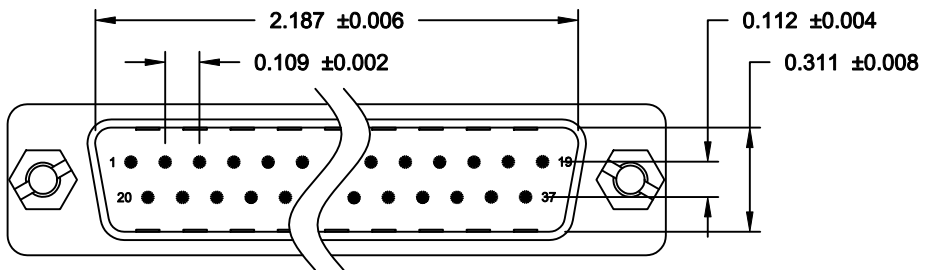
DESCRIPTION: 37-PIN MALE / MALE GENDER CHANGER

**SPECIFICATION:**

INSULATOR: PBT GLASS FIBER REINFORCED UL 94VO  
 CONTACT: BRASS  
 CONTACT PLATING: GOLD PLATED OVER NICKEL  
 SHELL: TIN PLATED SHELL  
 CURRENT RATING: 5 AMP  
 DIELECTRIC STRENGTH: 1,000VAC FOR 1 MINUTE  
 INSULATION RESISTANCE: 1,000 MegOHMS MIN @500 VDC  
 TEMPERATURE: -55° C - +105° C

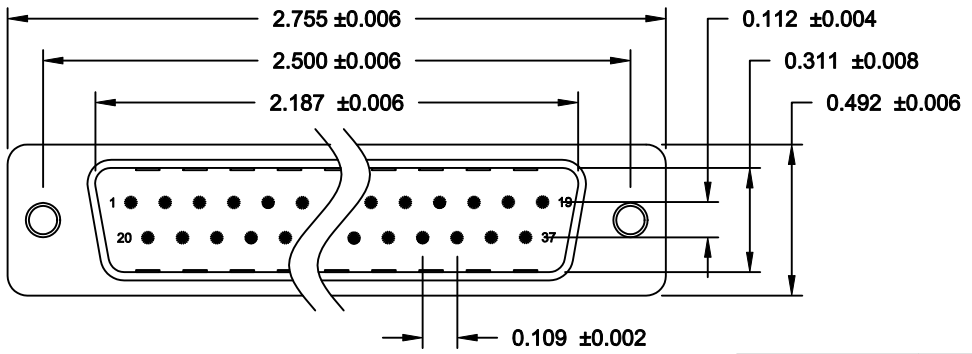
**NOTE:**

LABEL: YELLOW COLOR WITH BLACK CHARACTORS  
 ONE SIDE: MINI GENDER CHANGER  
 OTHER SIDE: U.S.A. PATENT 5199906



37-PIN MALE	37-PIN MALE
1	1
2	2
3	3
~	
36	36
37	37
SHELL	SHELL

PIN OUT



DO NOT SCALE FROM DRAWING

	THESE DRAWINGS AND SPECIFICATIONS ARE THE PROPERTY OF NorComp AND SHALL NOT BE REPRODUCED, COPIED OR USED AS THE BASIS FOR THE MANUFACTURE OF SALE OF APPARATUS WITHOUT WRITTEN PERMISSION.		DRAWN: <b>P. JENKINS</b>	DATE: <b>10-15-07</b>
			CHECKED:	DATE:
<h1>NorComp</h1>	SCALE: <b>1.5 : 1</b>	SHEET <b>1</b>	OF <b>1</b>	REV <b>1</b>
	DWG NO. <b>GCLP37M37M</b>			

**RoHS COMPLIANT**