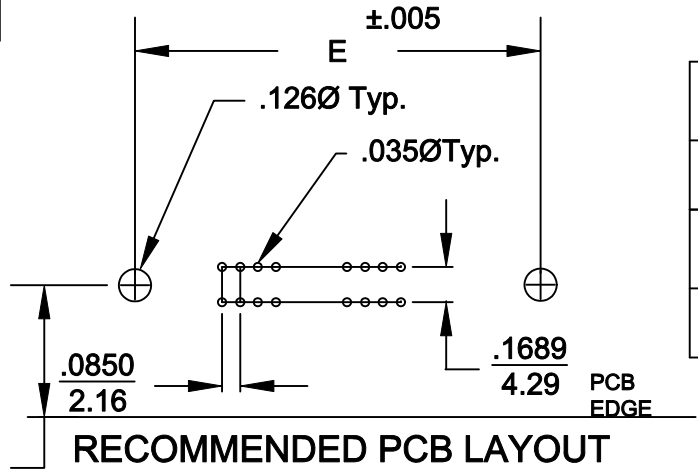
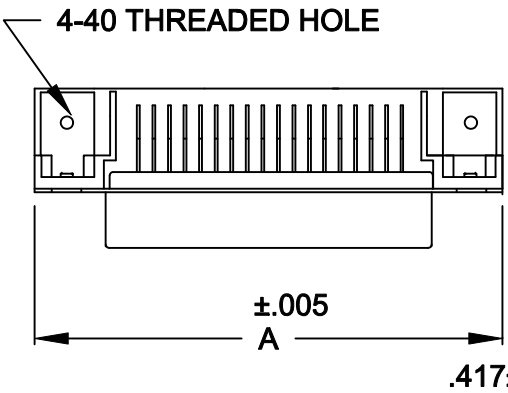
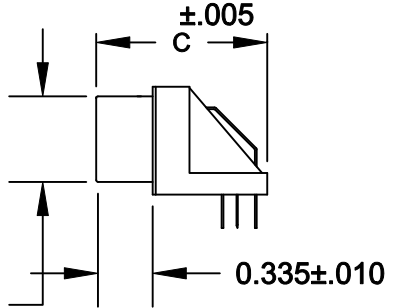
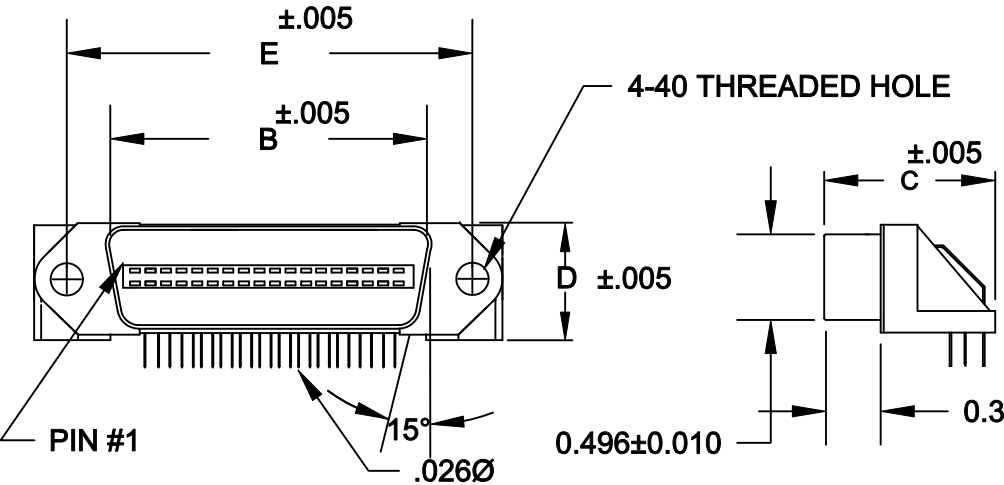


DESCRIPTION: .085" RIBBON R/A BOARD MOUNT



	A	B	C	D	E
14	1.720	1.008	.984	.618	1.417
	43.70	25.60	25.00	15.70	35.99
24	2.146	1.436	.984	.618	1.843
	54.50	36.47	25.00	15.70	46.79
36	2.662	1.943	.984	.618	2.352
	67.60	49.35	25.00	15.70	59.74
50	3.260	2.539	.984	.618	2.947
	82.80	64.47	25.00	15.70	74.85

SCALE = 2 : 1



112-YYY-113R001

SERIES \_\_\_\_\_

POSITIONS \_\_\_\_\_

014

024

036

050

GENDER \_\_\_\_\_

1 = MALE

TERMINATION \_\_\_\_\_

1 = DIP SOLDER

SHELL PLATING \_\_\_\_\_

3 = NICKEL

HARDWARE OPTIONS \_\_\_\_\_

00 = 4-40 THREAD (PCB)

PLATING OPTIONS \_\_\_\_\_

01 = GOLD FLASH

**MATERIALS:**

INSULATOR: PA9T, UL94V-0, BLUE

CONTACTS: COPPER ALLOY

CONTACT PLATING: GOLD FLASH IN THE MATING AREA  
MATTE TIN IN THE SOLDER AREA

**ELECTRICALS:**

CONTACT CURRENT RATING: 1 AMP

DIELECTRIC WITHSTANDING VOLTAGE: 1000 VAC

VOLTAGE: 250 VAC Max.

INSULATION RESISTANCE: 1000 MOhms Min.

CONTACT RESISTANCE: 30 MilliOhms MAXIMUM

OPERATING TEMPERATURE: -55°C TO +105°C

CONTACT INSERTION FORCE: 25 Lbs. Max.

CONTACT SEPARATION FORCE: 2 Lbs. Min.



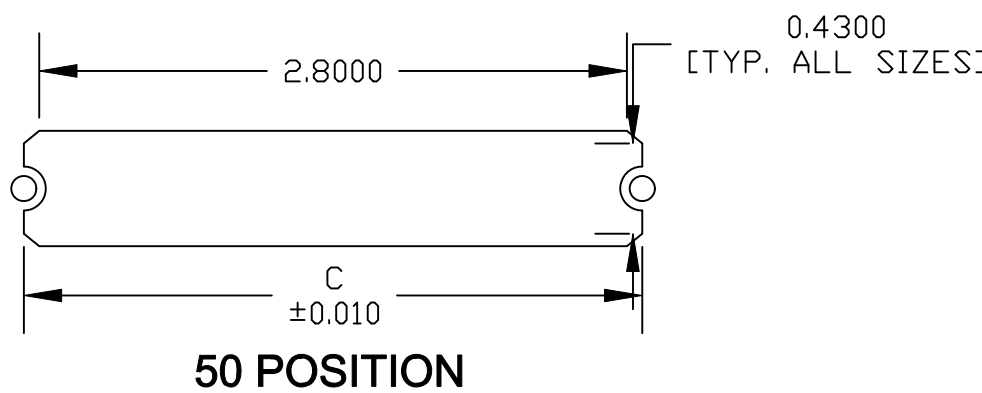
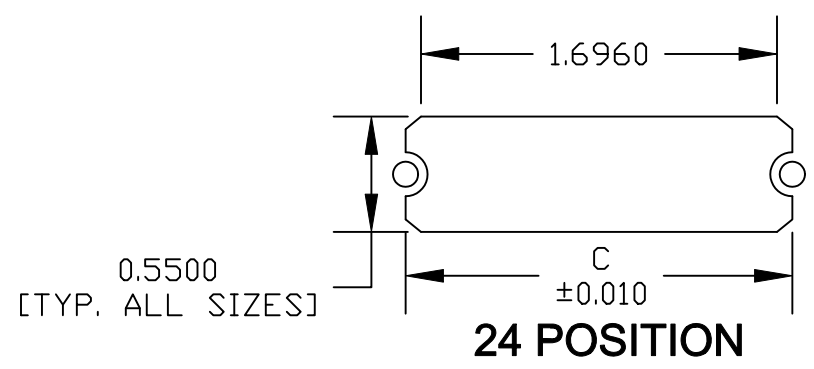
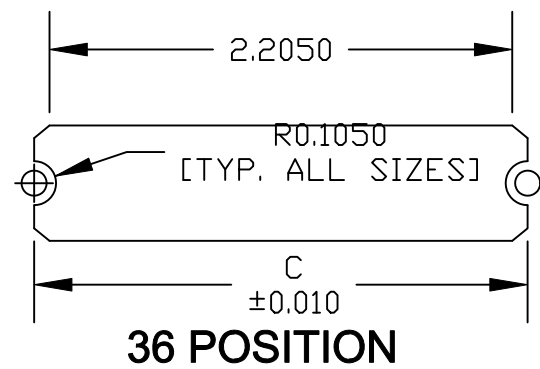
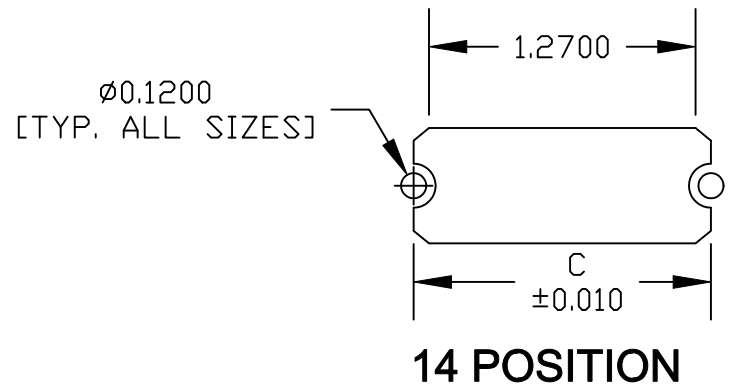
THESE DRAWINGS AND SPECIFICATIONS ARE THE PROPERTY OF NorComp AND SHALL NOT BE REPRODUCED, COPIED OR USED AS THE BASIS FOR THE MANUFACTURE OF SALE OF APPARATUS WITHOUT WRITTEN PERMISSION.

DRAWN: WAYNE ROBBINS		DATE: 7-12-05	
CHECKED:		DATE:	
SCALE: 1:1	SHEET 1 OF 2	REV 5	
DWG NO. 112-YYY-113R001			

**RoHS COMPLIANT**



**NorComp**

	014	024	036	050
C	1.417	1.843	2.352	2.947
	36.00	46.80	59.74	74.85



**\*\*\*NOTE\*\*\*** DIMENSION "C" =  
 CENTER TO CENTER OF MOUNTING HOLES  
 CENTER OF RADI  
 OVERALL LENGTH OF CUTOUT

DO NOT SCALE FROM DRAWING

	THESE DRAWINGS AND SPECIFICATIONS ARE THE PROPERTY OF NorComp AND SHALL NOT BE REPRODUCED, COPIED OR USED AS THE BASIS FOR THE MANUFACTURE OF SALE OF APPARATUS WITHOUT WRITTEN PERMISSION.	DRAWN: <b>M. SIGMON</b>	DATE: <b>01-14-11</b>	
		CHECKED:	DATE:	
		SCALE: NONE	SHEET 2 OF 2	REV 5
		DWG NO. <b>112-YYY-113R001</b>		

RoHS COMPLIANT