

M39029/1-101

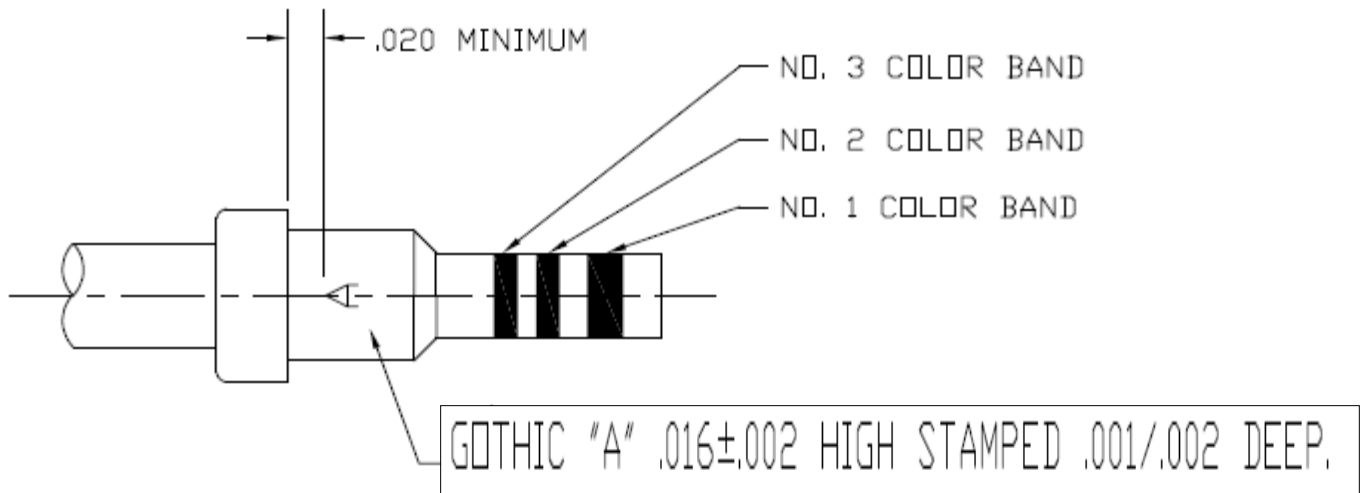
Deutsch - Machined Contact

CONTACT, PIN, SIZE 16, AWG 24-20

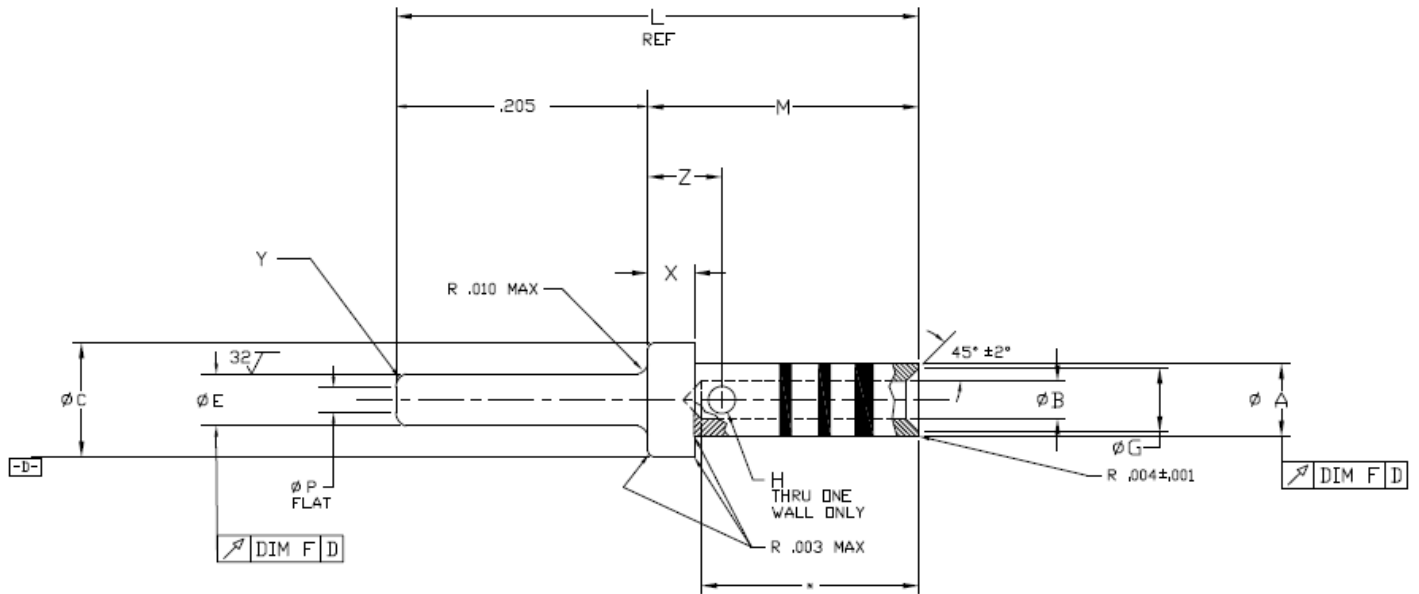


PRODUCT INFORMATION

Specification:	MIL-C-39029
Contact Style:	Pin
Termination Method:	Crimp
Crimp Wire Gauge:	20,22,24
Contact Size:	#16
Contact Material:	Copper Alloy
Contact Plating:	50 microinches Gold Plate
Weight (lbs):	0.00042
Weight (g):	0.19056



BAND IDENTIFICATION



BROWN	BLACK	BROWN	.017/.032	.124	.025	.005	—	—	.057/.063	.015/.025
COLOR BAND NO. 3	COLOR BAND NO. 2	COLOR BAND NO. 1	DIM. P	DIM. J	DIM. K	DIM. F	DIM. D	DIM. AA	DIM. Z	DIM. Y
.029/.033	.157/.186	.211/.215	.418	.026/.032	.060/.064	.061/.063	.100/.103	.048/.050	.076/.078	
DIM. X	DIM. N	DIM. M	DIM. L	DIM. H	DIM. G	DIM. E	DIM. C	DIM. B	DIM. A	