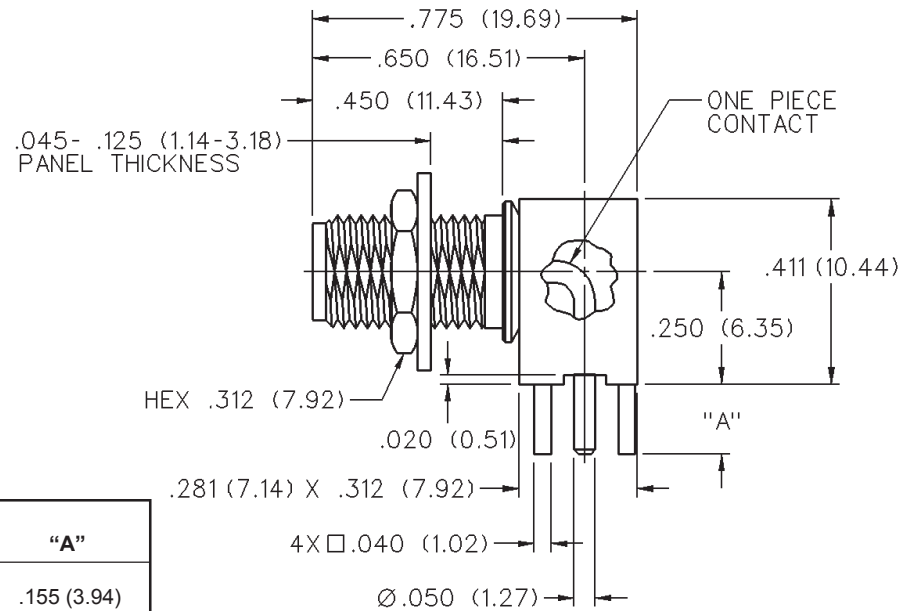
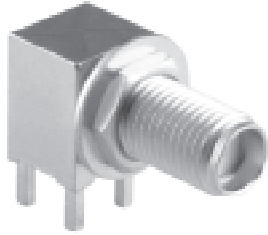


# SMA 50 Ohm Right Angle Bulkhead Jack Receptacle



VSWR & FREQ. RANGE	GOLD PLATED	NICKEL PLATED	"A"
VSWR: N/A 0-18 GHz	142-0701-501	142-0701-506	.155 (3.94)

Mounting hole layouts

