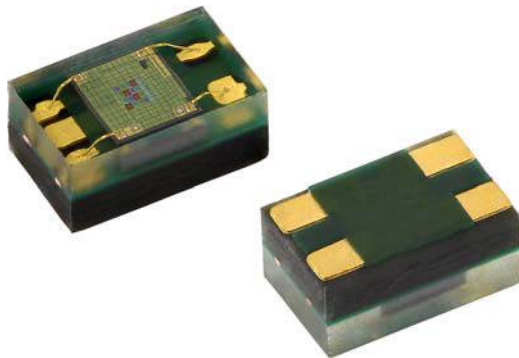


## RGBW Color Sensor with I<sup>2</sup>C Interface



### DESCRIPTION

VEML6040 color sensor senses red, green, blue, and white light and incorporates photodiodes, amplifiers, and analog / digital circuits into a single chip using CMOS process. With the color sensor applied, the brightness, and color temperature of backlight can be adjusted base on ambient light source that makes panel looks more comfortable for end user's eyes. VEML6040's adoption of Filtron™ technology achieves the closest ambient light spectral sensitivity to real human eye responses.

VEML6040 provides excellent temperature compensation capability for keeping the output stable under changing temperature. VEML6040's function are easily operated via the simple command format of I<sup>2</sup>C (SMBus compatible) interface protocol. VEML6040's operating voltage ranges from 2.5 V to 3.6 V. VEML6040 is packaged in a lead (Pb)-free 4 pin OPLGA package which offers the best market-proven reliability.

### FEATURES

- Package type: surface mount
- Dimensions (L x W x H in mm): 2.0 x 1.25 x 1.0
- Integrated modules: color sensor (RGBW) and signal conditioning IC
- Filtron™ technology provides a spectrum matching real human eye responses
- Supports low transmittance (dark) lens design
- Fluorescent light flicker immunity
- Provides 16-bit resolution for each channel (R, G, B, W)
- Selectable maximum detection range (360, 721, 1442, 2883, 5767, or 11 796) lux with highest sensitivity 0.0056 lux/step
- Package: OPLGA
- Temperature compensation: -40 °C to +85 °C
- Low power consumption I<sup>2</sup>C (SMBus compatible) interface
- Floor life: 168 h, MSL 3, according to J-STD-020
- Output type: I<sup>2</sup>C bus
- Operation voltage: 2.5 V to 3.6 V
- Material categorization: for definitions of compliance please see [www.vishay.com/doc?99912](http://www.vishay.com/doc?99912)



### APPLICATIONS

- Handheld device
- Notebook
- Consumer device
- Industrial and mechanical application

### PRODUCT SUMMARY

PART NUMBER	OPERATING VOLTAGE RANGE (V)	I <sup>2</sup> C BUS VOLTAGE RANGE (V)	PEAK SENSITIVITY (nm)	RANGE OF SPECTRAL BANDWIDTH λ <sub>0.5</sub> (nm)	OUTPUT CODE
VEML6040	2.5 to 3.6	1.7 to 3.6	650, 550, 450 (R, G, B)	± 35, ± 35, ± 40 (R, G, B)	16 bit, I <sup>2</sup> C

#### Note

(1) Adjustable through I<sup>2</sup>C interface

### ORDERING INFORMATION

ORDERING CODE	PACKAGING	VOLUME (1)	REMARKS
VEML6040A30G	Tape and reel	MOQ: 2500 pcs	2.0 mm x 1.25 mm x 1.0 mm

#### Note

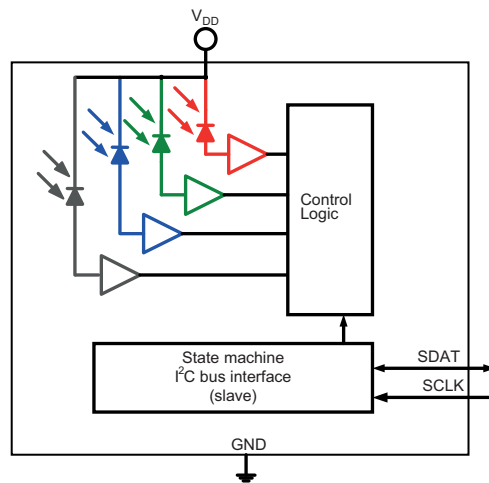
(1) MOQ: minimum order quantity

### ABSOLUTE MAXIMUM RATINGS (T<sub>amb</sub> = 25 °C, unless otherwise specified)

PARAMETER	TEST CONDITION	SYMBOL	MIN.	MAX.	UNIT
Supply voltage		V <sub>DD</sub>	0	3.6	V
Operation temperature range		T <sub>amb</sub>	-40	+85	°C
Storage temperature range		T <sub>stg</sub>	-40	+85	°C

<b>RECOMMENDED OPERATING CONDITIONS</b> ( $T_{amb} = 25\text{ }^{\circ}\text{C}$ , unless otherwise specified)					
PARAMETER	TEST CONDITION	SYMBOL	MIN.	MAX.	UNIT
Supply voltage		$V_{DD}$	2.5	3.6	V
Operation temperature range		$T_{amb}$	-40	+85	$^{\circ}\text{C}$
I <sup>2</sup> C bus operating frequency		$f_{(I2CCLK)}$	10	400	kHz

<b>PIN DESCRIPTIONS</b>			
PIN ASSIGNMENT	SYMBOL	TYPE	FUNCTION
1	GND	I	Ground
2	SDAT	I / O (open drain)	I <sup>2</sup> C data bus data input / output
3	SCLK	I	I <sup>2</sup> C digital bus clock input
4	$V_{DD}$	I	Power supply input

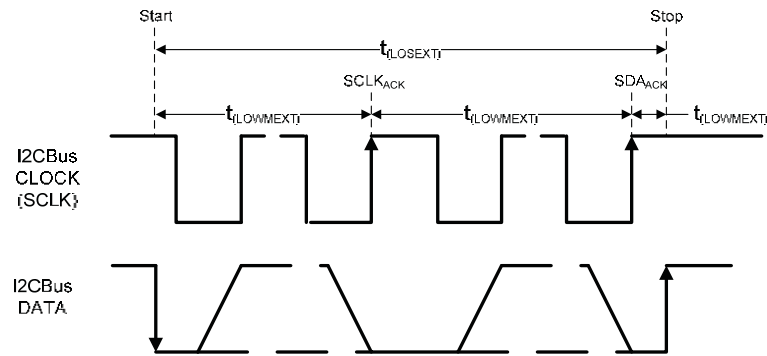
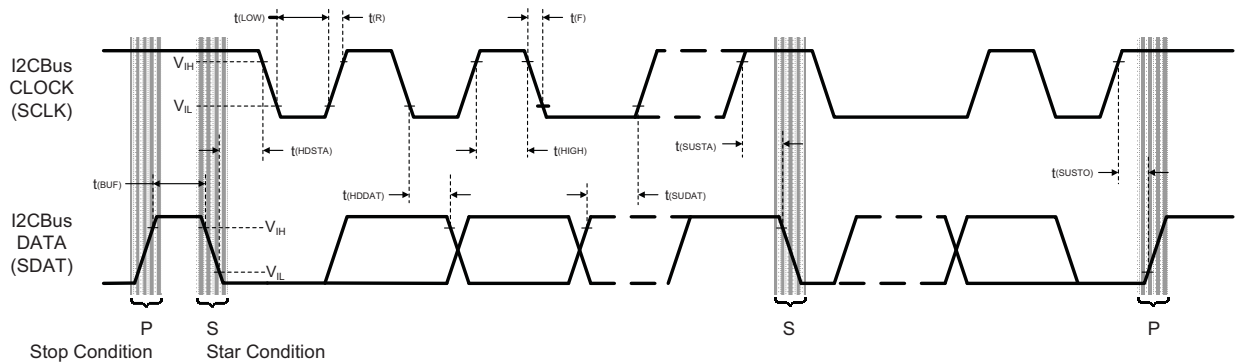
**BLOCK DIAGRAM**


<b>BASIC CHARACTERISTICS</b> ( $T_{amb} = 25\text{ }^{\circ}\text{C}$ , unless otherwise specified)						
PARAMETER	TEST CONDITION	SYMBOL	MIN.	TYP.	MAX.	UNIT
Supply voltage		$V_{DD}$	2.5		3.6	V
Supply current		$I_{DD}$		200		$\mu\text{A}$
I <sup>2</sup> C signal input	Logic high	$V_{DD} = 3.3\text{ V}$	$V_{IH}$	1.5		V
	Logic low		$V_{IL}$		0.8	
	Logic high	$V_{DD} = 2.6\text{ V}$	$V_{IH}$	1.4		V
	Logic low		$V_{IL}$		0.6	
Peak sensitivity wavelength		$\lambda_{PR}$		650		nm
		$\lambda_{PG}$		550		nm
		$\lambda_{PB}$		450		nm
Irradiance responsivity	$\lambda_{PR} = 630\text{ nm}$			180		LSB/ $(\mu\text{W}/\text{cm}^2)$
	$\lambda_{PG} = 530\text{ nm}$			144		
	$\lambda_{PB} = 467\text{ nm}$			52		
Detectable intensity	Minimum	G channel, $t_T = 1280\text{ ms}$ <sup>(1)(2)</sup>		0.0056		lx
	Maximum	G channel, $t_T = 40\text{ ms}$ <sup>(1)(2)</sup>		11 796		
Dark offset		G channel, $t_T = 80\text{ ms}$ <sup>(1)</sup>		0	3	
Operating temperature range		$T_{amb}$	-40		+85	$^{\circ}\text{C}$
Shutdown current	Light condition = dark, $V_{DD} = 3.6\text{ V}$	$I_{DD}$		800		nA

**Notes**

- (1) Test condition:  $V_{DD} = 3.3\text{ V}$ , temperature:  $25\text{ }^{\circ}\text{C}$   
 (2) Light source: white LED

<b>I<sup>2</sup>C BUS TIMING CHARACTERISTICS</b> ( $T_{amb} = 25\text{ }^{\circ}\text{C}$ , unless otherwise specified)						
PARAMETER	SYMBOL	STANDARD MODE		FAST MODE		UNIT
		MIN.	MAX.	MIN.	MAX.	
Clock frequency	$f_{(SMBCLK)}$	10	100	10	400	kHz
Bus free time between start and stop condition	$t_{(BUF)}$	4.7		1.3		$\mu\text{s}$
Hold time after (repeated) start condition; after this period, the first clock is generated	$t_{(HDSTA)}$	4.0		0.6		$\mu\text{s}$
Repeated start condition setup time	$t_{(SUSTA)}$	4.7		0.6		$\mu\text{s}$
Stop condition setup time	$t_{(SUSTO)}$	4.0		0.6		$\mu\text{s}$
Data hold time	$t_{(HDDAT)}$	200		90		ns
Data setup time	$t_{(SUDAT)}$	250		100		ns
I <sup>2</sup> C clock (SCK) low period	$t_{(LOW)}$	4.7		1.3		$\mu\text{s}$
I <sup>2</sup> C clock (SCK) high period	$t_{(HIGH)}$	4.0		0.6		$\mu\text{s}$
Detect clock / data low timeout	$t_{(TIMEOUT)}$	25	35			ms
Clock / data fall time	$t_{(F)}$		300		300	ns
Clock / data rise time	$t_{(R)}$		1000		300	ns


 Fig. 1 - I<sup>2</sup>C Bus Timing Diagram

**PARAMETER TIMING INFORMATION**

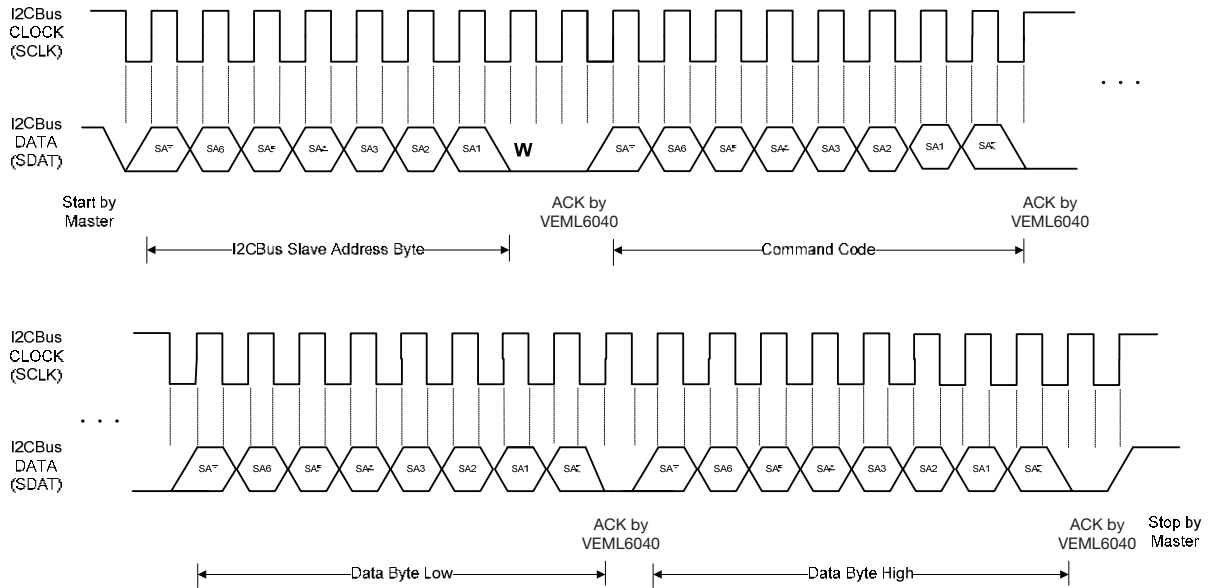


Fig. 2 - I<sup>2</sup>C Bus Timing for Sending Word Command Format

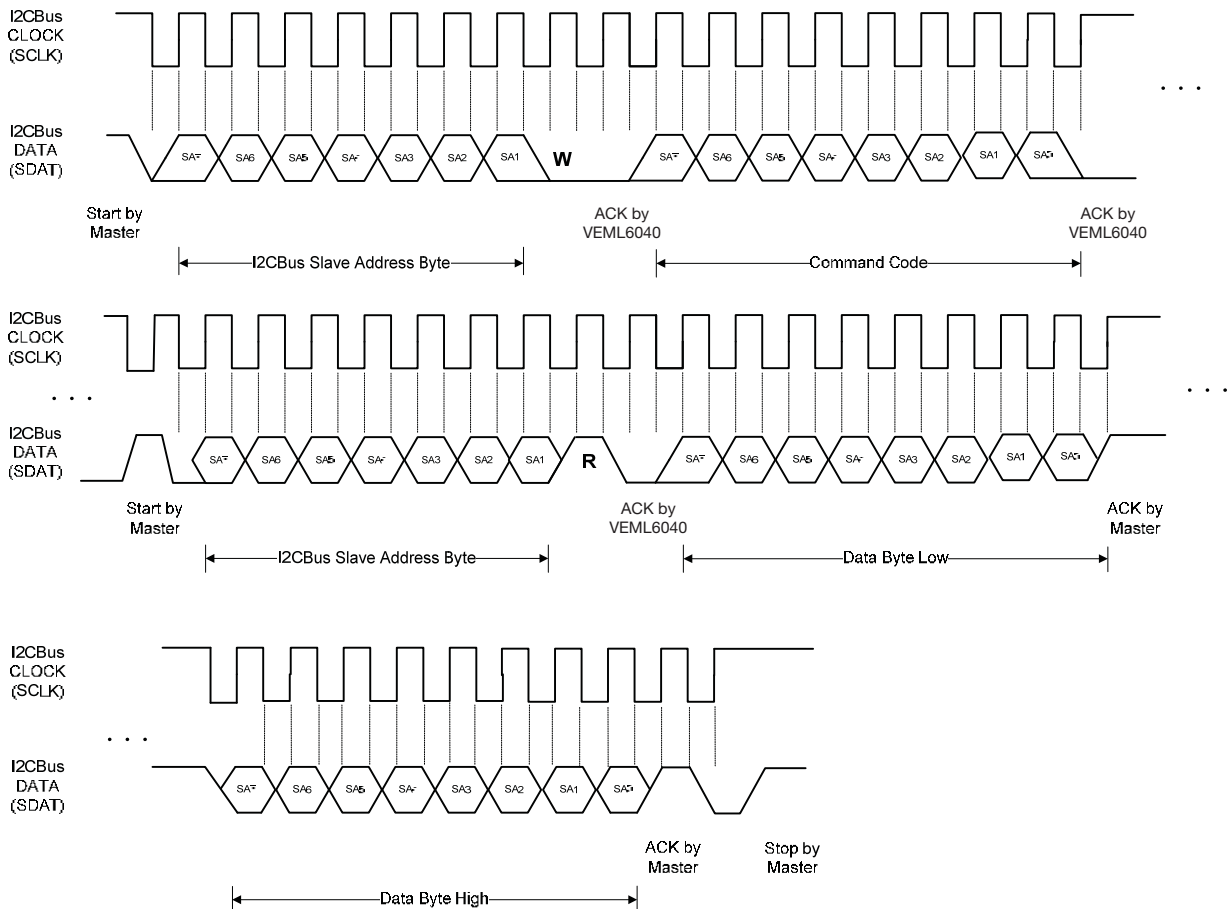


Fig. 3 - I<sup>2</sup>C Bus Timing for Receiving Word Command Format

**TYPICAL PERFORMANCE CHARACTERISTICS** ( $T_{amb} = 25\text{ }^{\circ}\text{C}$ , unless otherwise specified)

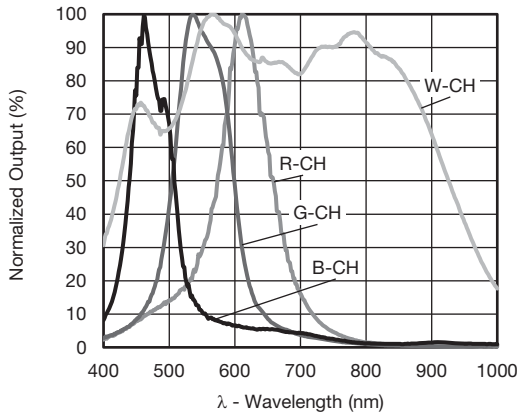


Fig. 4 - Normalized Spectral Response

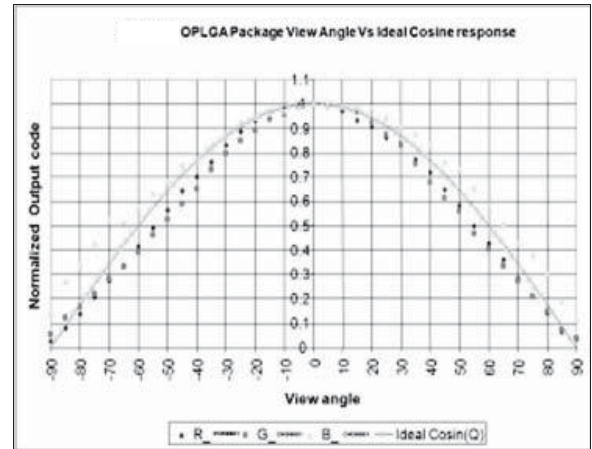


Fig. 5 - Normalized Output vs. View Angle

**APPLICATION INFORMATION**

**Pin Connection with the Host**

VEML6040 integrates R, G, B, and W sensor together with I<sup>2</sup>C interface. It is very easy for the baseband (CPU) to access VEML6040 output data via I<sup>2</sup>C interface without extra software algorithms. The hardware schematic is shown in the following diagram.

The 0.1 μF capacitor near the V<sub>DD</sub> pin is used for power supply noise rejection. The 2.2 kΩs are suitable for the pull-up resistors of I<sup>2</sup>C.

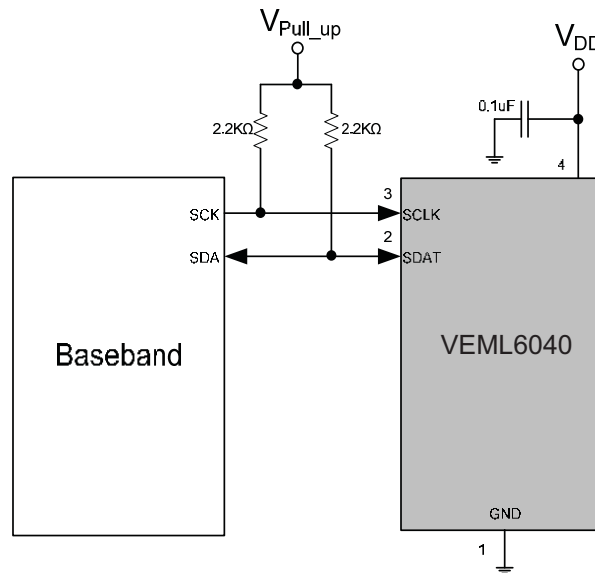


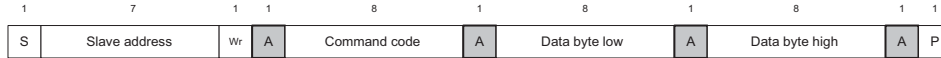
Fig. 6 - Hardware Pin Connection Diagram



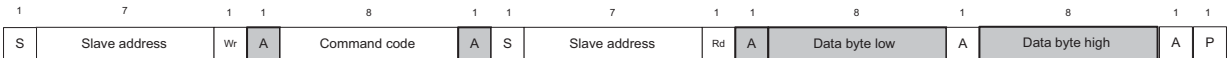
Digital Interface

VEML6040 apply slave address 0x10 of 7 bit addressing protocol for I2C. VEML6040 contains an 8-bit command register following each of slave address as shown in figure 7. All operations can be controlled by the command register. The simple command structure helps users easily program the operation setting and latch the light data from VEML6040. Following I2C command format is simple for read and write operations between VEML6040 and the host as shown in figure 7. The white sections indicate host activity and the gray sections indicate VEML6040's acknowledgement of the host access activity. Based on write word protocol, 8-bit command codes can be written by the host under the same slave address. For data reading, VEML6040 apply read word protocol.

Send Byte → Write Command to VEML6040



Receive Byte → Read Data from VEML6040



S = start condition
P = stop condition
A = acknowledge
Shaded area = VEML6040 acknowledge

Fig. 7 - Command Protocol Format

Slave Address and Function Description

VEML6040 uses 0x10 slave address for 7-bit I2C addressing protocol. VEML6040 has 16-bit resolution for each channel (R, G, B, and W) that provides sensitivity up to 0.0056 lux/step for G, which is advantageous under a low transmittance lens design (dark lens).

TABLE 1 - SLAVE ADDRESS AND COMMAND CODE DESCRIPTION. Table with columns: COMMAND CODE, REGISTER NAME, R / W, BIT (7, 6, 5, 4, 3, 2, 1, 0). Rows include CONF, Reserved, R\_DATA\_L, R\_DATA\_M, G\_DATA\_L, G\_DATA\_M, B\_DATA\_L, B\_DATA\_M, W\_DATA\_L, W\_DATA\_M.

Note

- Slave address is 7-bit addressing protocol



**Command Register Format**

VEML6040 provides an 8-bit command register for controlling. The description of each command format is shown in the following tables. Color sensor is function compatible with ambient light sensor when apply color sensor at green channel.

**Color Sensor Command**

<b>TABLE 2-1 - COMMAND CODE 00H BITS DESCRIPTION</b>							
SLAVE ADDRESS: 0x10; REGISTER NAME: CONF; COMMAND CODE: 00H / DATA BYTE LOW							
X	IT			X	TRIG	AF	SD
BIT 7	BIT 6	BIT 5	BIT 4	BIT 3	BIT 2	BIT 1	BIT 0
0	IT2	IT1	IT0	0	TRIG	AF	SD
DESCRIPTION							
IT		Integration time setting					
TRIG		Proceed one detecting cycle at manual force mode					
AF		Auto / manual force mode					
SD		Chip shutdown setting					

<b>TABLE 2-2 - COMMAND CODE 00H REGISTER SETTING</b>			
BITS SETTING		DESCRIPTION	
BIT 7		Default = 0	
BIT 6, 5, 4 IT (2 : 0)		(0 : 0 : 0) = 40 ms	
		(0 : 0 : 1) = 80 ms	
		(0 : 1 : 0) = 160 ms	
		(0 : 1 : 1) = 320 ms	
		(1 : 0 : 0) = 640 ms	
		(1 : 0 : 1) = 1280 ms	
BIT 3		Default = 0	
BIT 2 TRIG		0 = no trigger 1 = trigger one time detect cycle	
BIT 1 AF		0 = auto mode 1 = force mode	
BIT 0 SD		0 = enable color sensor 1 = disable color sensor	

<b>TABLE 3-1 - RESERVE COMMAND CODE DESCRIPTION</b>		
RESERVED		COMMAND CODE: 00H / DATA BYTE HIGH
Command	Bit	Description
Reserved	7 : 0	Default = 00H

<b>TABLE 3-2 - RESERVE COMMAND CODE DESCRIPTION</b>		
RESERVED		COMMAND CODE: 01H TO 07H
Command	Bit	Description
Reserved	7 : 0	Default = 00H

<b>TABLE 4 - READ OUT COMMAND CODE DESCRIPTION</b>			
COMMAND CODE	REGISTER	BIT	DESCRIPTION
08H_L (08H data byte low)	R_DATA_L	7 : 0	00H to FFH, R channel LSB output data
08H_H (08H data byte high)	R_DATA_M	7 : 0	00H to FFH, R channel MSB output data
09H_L (09H data byte low)	G_DATA_L	7 : 0	00H to FFH, G channel LSB output data
09H_H (09H data byte high)	G_DATA_M	7 : 0	00H to FFH, G channel MSB output data
0AH_L (0AH data byte low)	B_DATA_L	7 : 0	00H to FFH, B channel LSB output data
0AH_H (0AH data byte high)	B_DATA_M	7 : 0	00H to FFH, B channel MSB output data
0BH_L (0BH data byte low)	W_DATA_L	7 : 0	00H to FFH, W channel LSB output data
0BH_H (0BH data byte high)	W_DATA_M	7 : 0	00H to FFH, W channel MSB output data





**PACKAGE INFORMATION** in millimeters

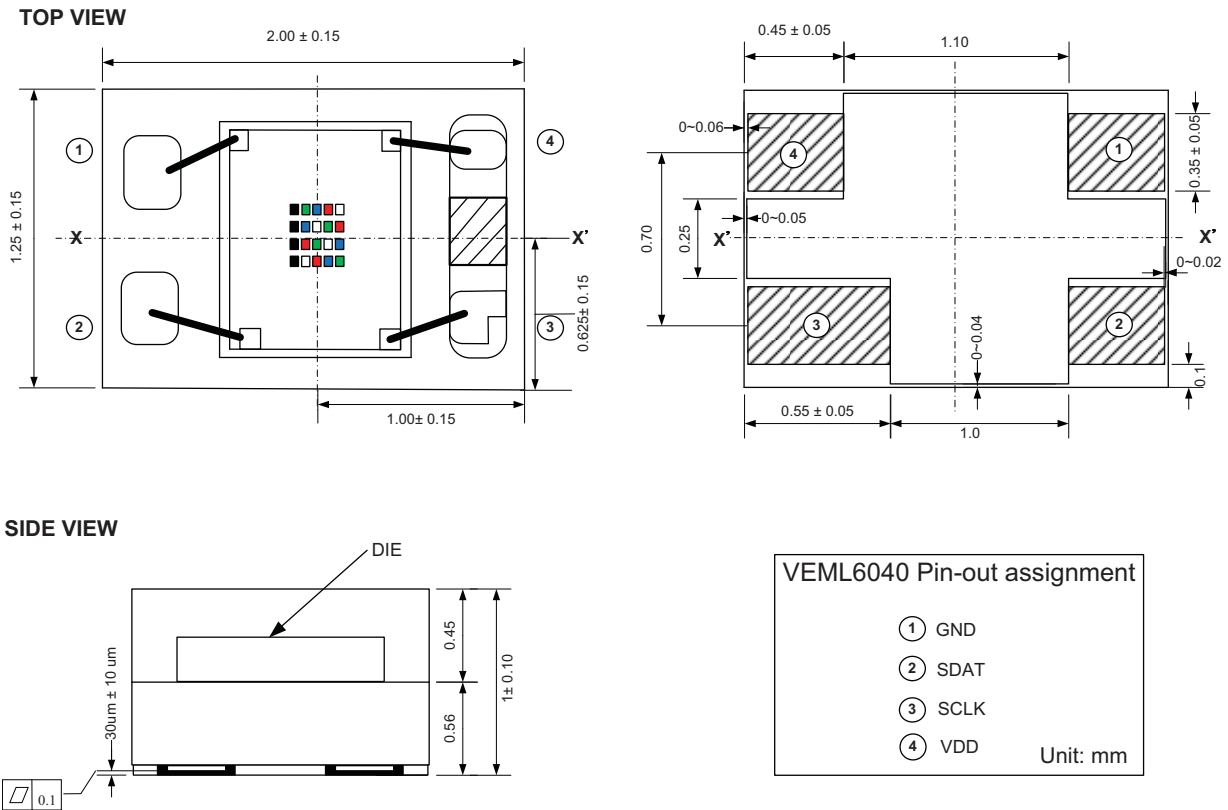


Fig. 8 - VEML6040 A3OG Package Dimensions

**LAYOUT NOTICE AND REFERENCE CIRCUIT** in millimeters

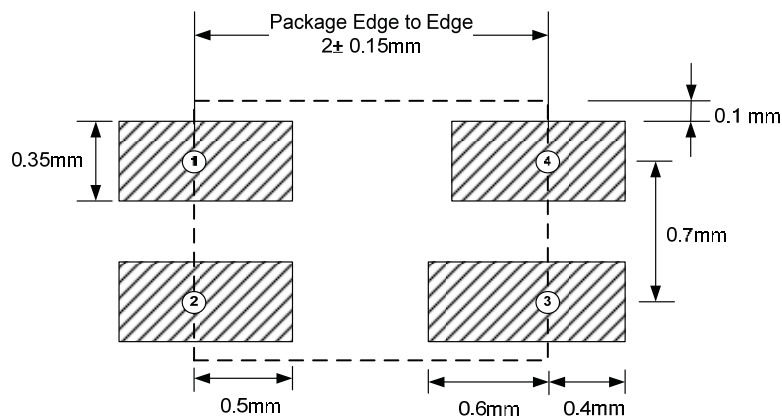


Fig. 9 - VEML6040 PCB Layout Footprint

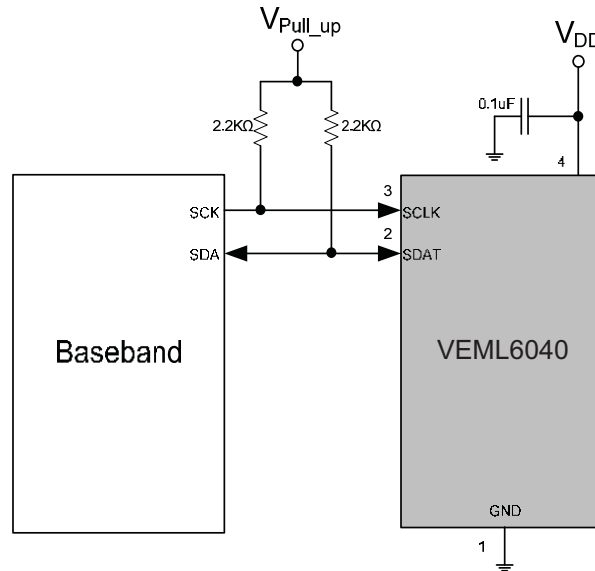
**APPLICATION CIRCUIT BLOCK REFERENCE**


Fig. 10 - VEML6040 Application Circuit

RECOMMENDED STORAGE AND REBAKING CONDITIONS				
PARAMETER	CONDITIONS	MIN.	MAX.	UNIT
Storage temperature		5	50	°C
Relative humidity			60	%
Open time			168	h
Total time	From the date code on the aluminized envelope (unopened)		12	months
Rebaking	Tape and reel: 60 °C		22	h
	Tube: 60 °C		22	h

**RECOMMENDED INFRARED REFLOW**

Soldering conditions which are based on J-STD-020 C

IR REFLOW PROFILE CONDITION			
PARAMETER	CONDITIONS	TEMPERATURE	TIME
Peak temperature		255 °C + 0 °C / - 5 °C (max.: 260 °C)	10 s
Preheat temperature range and timing		150 °C to 200 °C	60 s to 180 s
Timing within 5 °C to peak temperature			10 s to 30 s
Timing maintained above temperature / time		217 °C	60 s to 150 s
Timing from 25 °C to peak temperature			8 min (max.)
Ramp-up rate		3 °C/s (max.)	
Ramp-down rate		6 °C/s (max.)	

Recommend Normal Solder Reflow is 235 °C to 255 °C

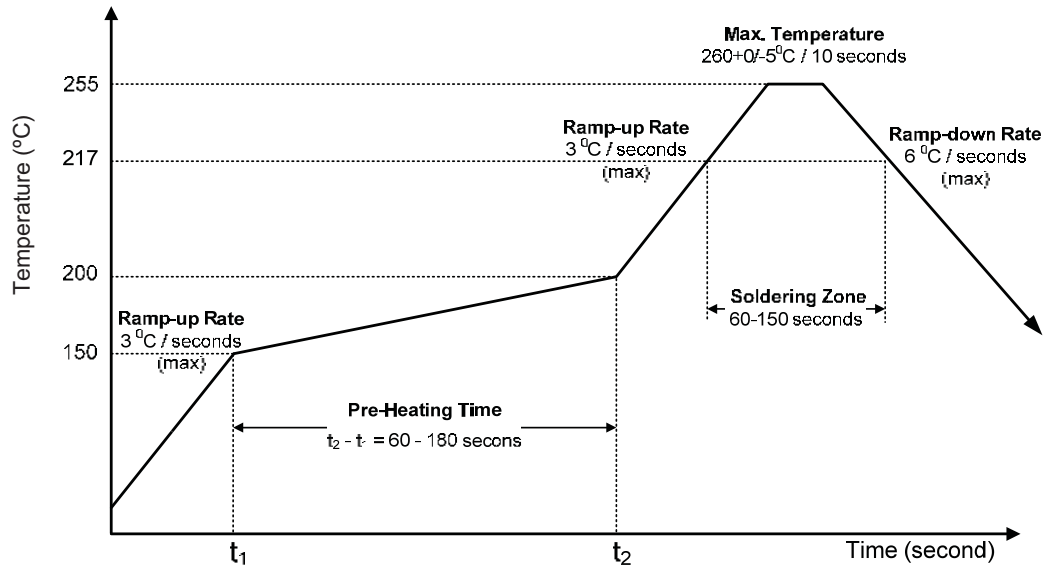


Fig. 11 - VEML6040 OPLGA Solder Reflow Profile Chart

### RECOMMENDED IRON TIP SOLDERING CONDITION AND WARNING HANDLING

1. Solder the device with the following conditions:
  - 1.1. Soldering temperature: 400 °C (max.)
  - 1.2. Soldering time: 3 s (max.)
2. If the temperature of the method portion rises in addition to the residual stress between the leads, the possibility that an open or short circuit occurs due to the deformation or destruction of the resin increases.
3. The following methods: VPS and wave soldering, have not been suggested for the component assembly.
4. Cleaning method conditions:
  - 4.1. Solvent: methyl alcohol, ethyl alcohol, isopropyl alcohol
  - 4.2. Solvent temperature < 45 °C (max.)
  - 4.3. Time: 3 min (min.)

