



**UUSB3 SERIES**

# MICRO USB 3.0 INTERFACES

**SPECIFICATIONS**

For complete specifications and recommended PCB layouts see [www.samtec.com?UUSB3](http://www.samtec.com?UUSB3)

**Insulator Material:**

Nylon 9T Black

**Contact Material:**

Phosphor Copper

**Plating:**

Au or Sn over

50µ" (1.27µm) Ni

**Shield Plating:**

50µ" (1.27µm) Ni

**Operating Temp Range:**

-50°C to +85°C

**Current Rating:**

1.8 A ground and VBUS, 0.25A per other contact

**Voltage Rating:**

100 VAC

**Contact Resistance:**

50 mΩ max

**Cycles:**

10,000

**RoHS Compliant:**

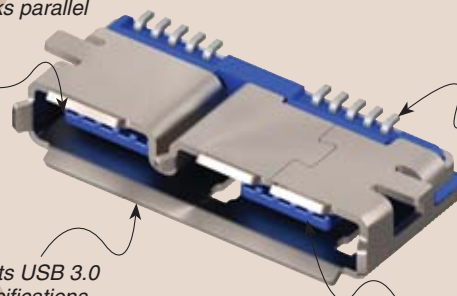
Yes

USB 3.0 port- works parallel with USB 2.0 port

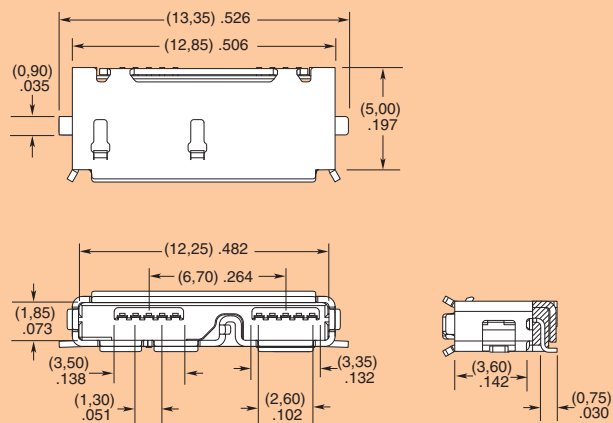
Surface Mount

Meets USB 3.0 Specifications

USB 2.0 port



<b>TYPE</b>	<b>AB</b>	<b>S</b>	<b>PLATING</b>	<b>TERMINATION</b>	<b>TR</b>
<b>UUSB3</b> = Micro USB 3.0			<b>-F</b> = Gold Flash on Mating Area, Matte Tin on Tails	<b>-SM</b> = Surface Mount	<b>-TR</b> = Tape & Reel Packaging
			<b>-S</b> = 30µ" (0,76µm) Gold on Mating Area, Matte Tin on Tails		



Due to technical progress, all designs, specifications and components are subject to change without notice.