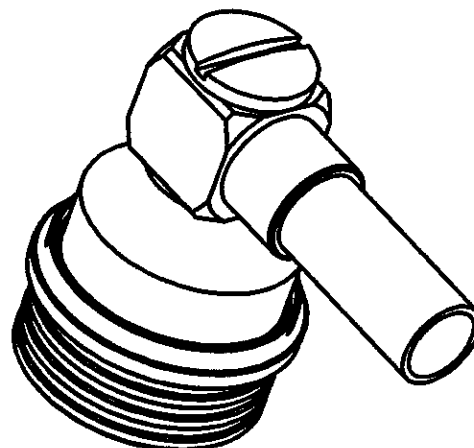
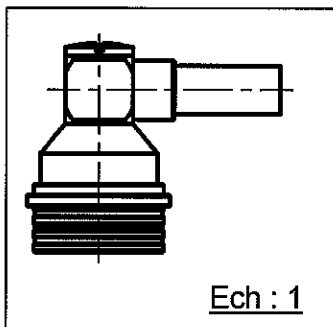
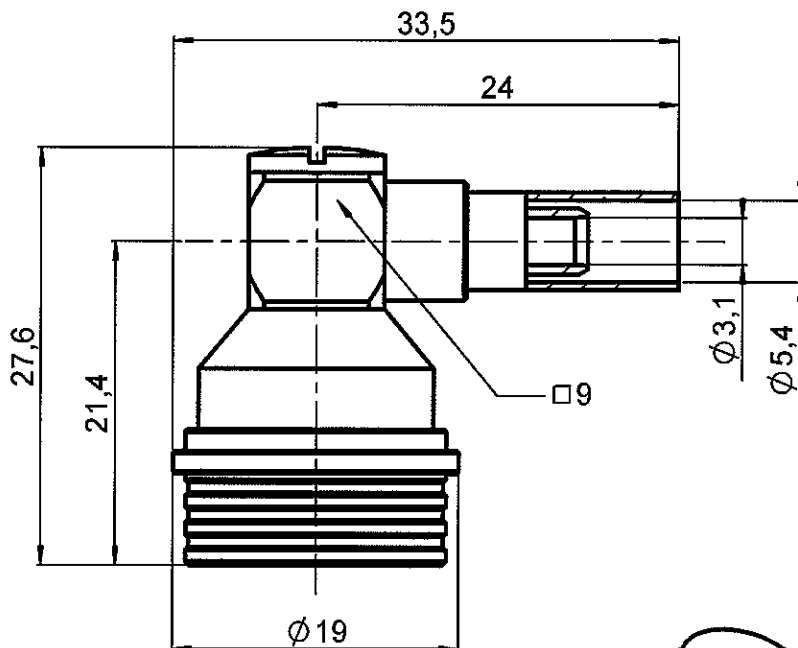


**RIGHT ANGLE PLUG CRIMP TYPE**

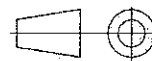
**R164.175.000**

**CABLE 5/50 S**

Series : QN



All dimensions are in mm.



COMPONENTS	MATERIALS	PLATINGS (µm)
BODY	BRASS	BBR 0.5 OVER SILVER 3
CENTER CONTACT	BRASS	SILVER 5 PASSIVATED OVER COPPER 0.5
OUTER CONTACT	BERYLLIUM COPPER	GOLD 0.3 OVER CHEMICAL NICKEL
INSULATOR	PTFE	
GASKET	EPDM	
OTHERS PARTS	BRASS	BBR 2
-	-	-
-	-	-

Issue : 0523 E

In the effort to improve our products, we reserve the right to make changes judged to be necessary.



**RIGHT ANGLE PLUG CRIMP TYPE**

**R164.175.000**

**CABLE 5/50 S**

Series : QN

**PACKAGING**

Standard	Unit	Other
50	'W' option	Contact us

**SPECIFICATION**

**ELECTRICAL CHARACTERISTICS**

Impedance		<b>50</b> Ω
Frequency		<b>0-6*</b> GHz
VSWR	<b>1.05</b> +	<b>0.025</b> x F(GHz) Maxi
Insertion loss		<b>0.048</b> √F(GHz) dB Maxi
RF leakage	- (	<b>**</b> - F(GHz)) dB Maxi
Voltage rating		<b>500</b> Veff Maxi
Dielectric withstanding voltage		<b>1500</b> Veff mini
Insulation resistance		<b>5000</b> MΩ mini

**CABLE ASSEMBLY**

Stripping mm	a	b	c	d	e	f
	2.50	8.00	20.0	0.00	17.5	0.00

Assembly instruction : **Crimp 07**

Recommended cable(s)

RG 58  
KX 15  
RG 141  
ECO 142  
BSSM 742

Characteristics indicated on this data sheet are those that can be achieved with the highest performance cable. Intrinsic limitations of the cable may diminish the performance of the assembly

Cable retention

- pull off **90** N mini  
- torque **NA** N.cm

**MECHANICAL CHARACTERISTICS**

Center contact retention		
Axial force – Mating end		<b>27</b> N mini
Axial force – Opposite end		<b>27</b> N mini
Torque		<b>NA</b> N.cm mini

**TOOLING**

Part Number	Description	Hexagon
R282.223.000	CRIMPING TOOL	1.73-5.41
R282.235.011	CRIMPING DIES	1.73-5.41
R282.293.000	CRIMPING TOOL	

Recommended torque		
Mating		<b>NA</b> N.cm
Panel nut		<b>NA</b> N.cm
Clamp nut		<b>NA</b> N.cm
A/F clamp nut		<b>0.000</b> mm

Mating life		<b>100</b> Cycles mini
Weight		<b>21.792</b> g

**OTHERS CHARACTERISTICS**

\* usable 0-11GHz  
\*\* Coconnector only : -90dB min DC<F<3GHz  
\*\*\*PIM3: -112 dbm (2 x 20W at 1.8GHz)  
\*\*-80db min 3<F<6GHz

**ENVIRONMENTAL**

Operating temperature		<b>-55/+125</b> °C
Hermetic seal		<b>NA</b> Atm.cm3/s
Panel leakage		<b>NA</b>

Issue : 0523 E

In the effort to improve our products, we reserve the right to make changes judged to be necessary.



**RADIALL®**