

5

4

3

2

1

DRAWING NO.
25-7100-CUST

REVISIONS

01	OFFICIAL RELEASE				Betty 2009.09.09 09:15:19 +0800
	08-21-09	Y	U	Y	

Description: F-59T Terminator 1/2 Watt 5%

Part No: 25-7100

Application: Terminator

Crimp Tool: N/A

Impedance: 75 Ohms

Frequency Range: 0-750 MHz

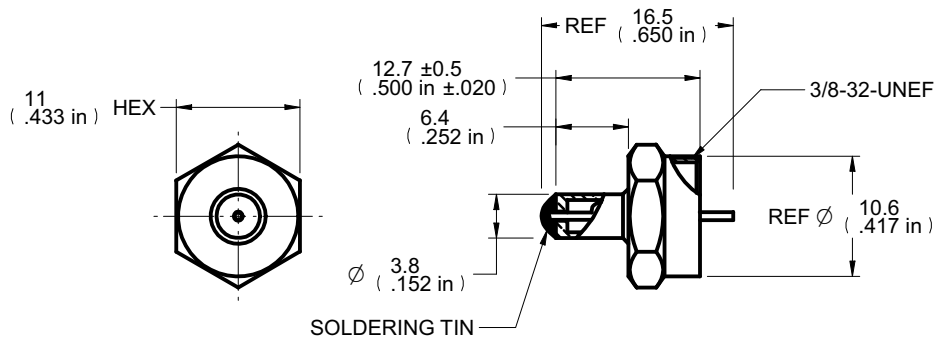
Material: Body Brass Nickel plated
Resistance 75Ω 1/2W

RoHS Compliance: Yes

Technical Detail: Refer to Emerson Document P/N 25-0000



受控 CONTROLLED DOCUMENT					
编号 P/N	25-7100-CUST	版本 Rev	01	日期 Rel'd Date	SEP 14,09



DIM OUTLINE

CUSTOMER COPY

TOLERANCE UNLESS OTHERWISE SPECIFIED		DRAWN BY		DATE	
DECIMALS	mm	BETTY.YU		08-21-09	
X	± 0.5	CHECKED BY		DATE	
X.X	± 0.3	BETTY.YU		08-21-09	
X.XX	± 0.1	APPROVED BY		DATE	
ANGLES	± 0.5°	THOMAS		08-21-09	
		U/M	mm	⊕ □	



TITLE
F -59T TERMINATOR 1/2 WATT 5%

THIS DRAWING WAS PRODUCED BY COMPUTER,
 DO NOT SCALE DRAWING OR UPDATE MANUALLY.

SHEET	DRAWING NO.	SIZE
1 OF 1	25-7100-CUST	A

5

4

3

2

1