

5

4

3

2

1

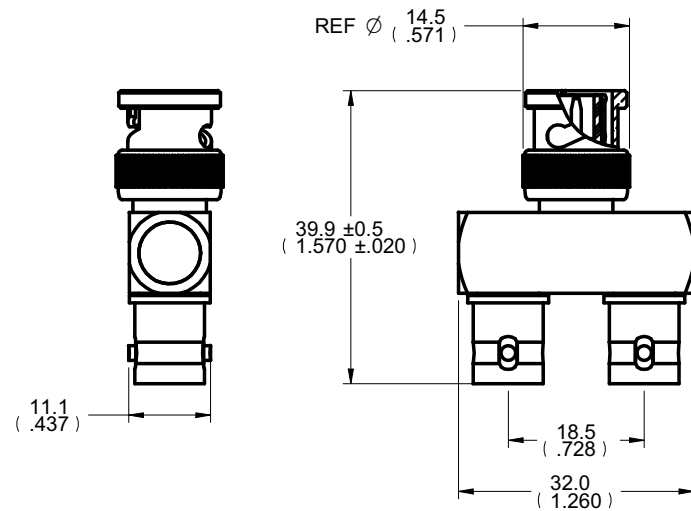
受控 CONTROLLED DOCUMENT					
编号 P/N	26-9294-CUST	版本 Rev	01	日期 Rel'd Date	SEP 17,09

DRAWING NO.  
27-9294

REVISIONS					
01	OFFICIAL RELEASE				
	08-05-09	I	W	W	H



Description: BNC Goalpost "T" Adaptor  
 Part No: 27-9294  
 Application: Adaptor  
 Crimp Tool: N/A  
 Impedance: 50 Ohm  
 Frequency Range: 0-4 GHz  
 Material: Body Brass Nickel Plated  
 Nut Zinc Nickel Plated  
 Insulator PTFE  
 Contact Brass Gold Plated  
 RoHS Compliance: Yes  
 Technical Detail: N/A



**DIM OUTLINE**

**CUSTOMER COPY**

TOLERANCE UNLESS OTHERWISE SPECIFIED		DRAWN BY IVON.W	DATE 08-05-09
DECIMALS	mm	CHECKED BY IVON.W	DATE 08-05-09
X	$\pm$ 0.5	APPROVED BY THOMAS	DATE 08-05-09
X.X	$\pm$ 0.3	U/M	mm
X.XX	$\pm$ 0.1		
ANGLES	$\pm$ 0.5°		

**EMERSON**  
Network Power

**Connectivity Solutions**

TITLE  
GOALPOST T" ADAPTOR""

THIS DRAWING WAS PRODUCED BY COMPUTER, DO NOT SCALE DRAWING OR UPDATE MANUALLY.			SHEET 1 OF 1	DRAWING NO. 27-9294	SIZE A
---	--	--	-----------------	------------------------	-----------

5

4

3

2

1