

Product Data Sheet

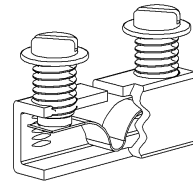


6G38 TSKK DIN

3/8" Sectional Terminal Block

DIN Mount

40 Amps, 600 Volts (AC/DC)



TSKK: Tubular Connector with Wire Protector

32 Circuits Per Foot

Copper Wire Only

Wire Range with Wire Binding Screw: #10 - #22 AWG

Wire Termination Torque: 16 in. lbs

See table below for Wire Classes and torque

Electrical Ratings:

- 40A (Based on NEC Table 310-16, 75°C columns)
- 600 Volts AC/DC (UL 1059 Class C, User Group – General Industrial)
- Short Circuit Current Rating: 10,000A (Default)
- Factory and field wiring

Mechanical Ratings:

- Insulator base temperature: -40°C/F 125°C (257°F)* UL RTI
 - Flammability rating of insulator base: UL 94V-0
 - Touch protection: IP-20 (IEC 60529)
- * Use outside these ratings needs to be judged in the end-use application.

Materials:

- Insulator base: Glass-filled polycarbonate (Gray Thermoplastic)
- Tubular Screw Connector: Copper, tin plated
- Screw, #10-32: Steel, nickel plated
- Wire Protector: Stainless Steel

Agency Approvals:

- UL Recognized, UL 1059 Terminal Block Standard, File No. XCFR2.E62806
- CSA Certified, CSA C22.2 No. 158, File No. LR19766
- CE compliant, IEC 60947-7-1
- RoHS Compliant

Wire Range:

Wire Size	Torque	Copper Wire Stranding Classes - Number of Conductors						
		Solid	Class B	Class C	Class G	Class H	Class I	Class K
10	16 in. lbs	1	1	1			1	1
12	16 in. lbs	1-2	1-3	1-2			1	1
14	16 in. lbs	1-2	1-3	1-3			1-2	1-2
16	16 in. lbs		1-4	1-4				1-2
18	16 in. lbs		1-5	1-5				1-2
20	16 in. lbs		1-5	1-5				
22	16 in. lbs		1-5	1-5				

For information on copper stranded wire classes, please reference:

<http://www.marathonsp.com/CatalogPDFs/Flexible-Stranded-Wire.pdf>

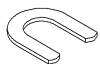
Mounting:

- DIN mountable: #8 (M4) fastener, torque to 15-20 in. lbs.

Standard Pack Qty is 25

Accessories:

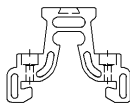
- Jumper: J-38



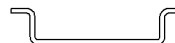
- End section: 6G38 E DIN



- End bracket: MSK35

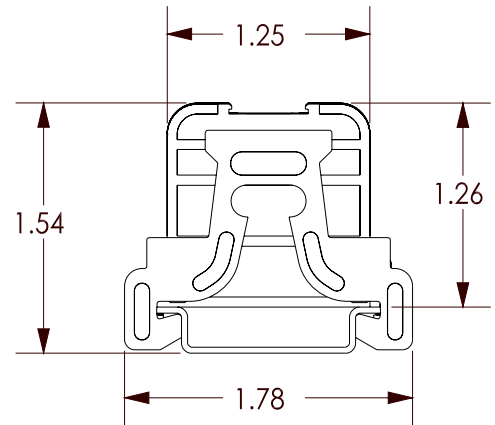
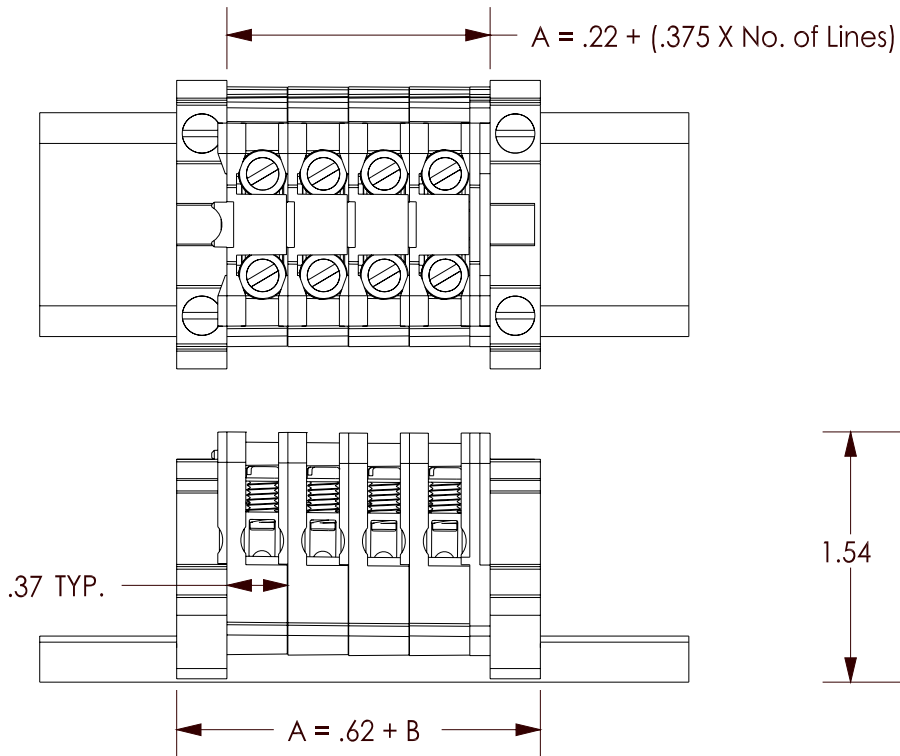


- Din Rail (35 X 7.5 mm X 2 m long, slotted): MN35-2



- Marking Strip (1/2" x 2" white): MS 2





WWW.MARATHONSP.COM
1-419-352-8441