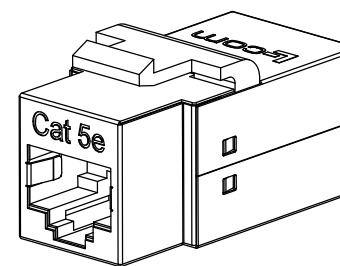
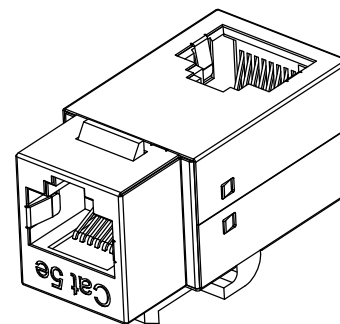
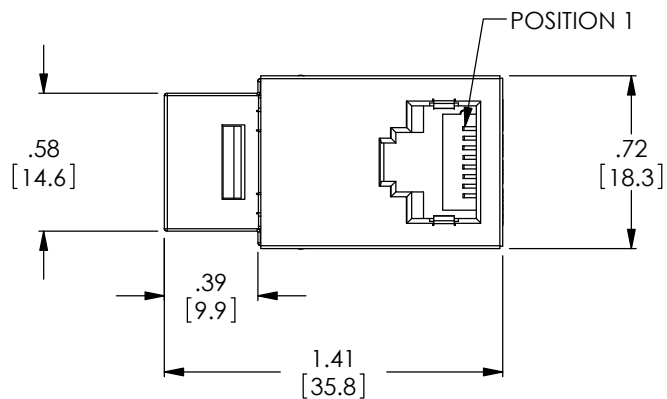
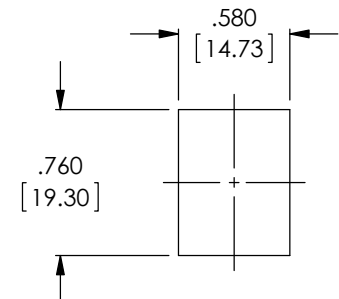
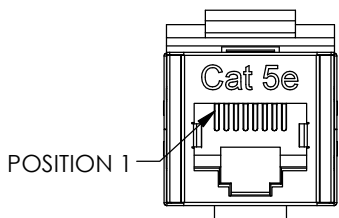
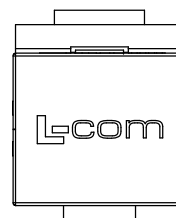
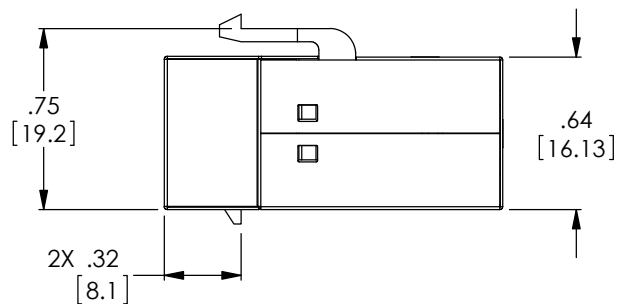
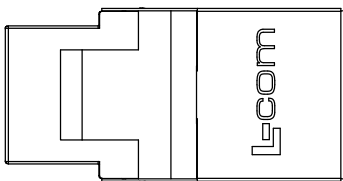


THE INFORMATION CONTAINED IN THIS DRAWING IS THE SOLE PROPERTY OF L-COM, INC. ANY REPRODUCTION IN PART OR WHOLE WITHOUT THE WRITTEN PERMISSION OF L-COM, INC. IS PROHIBITED.

REVISIONS			
REV	DESCRIPTION	DATE	APPROVED
D	ECN 6881: REVISED PANEL OPENING. UPDATED COMPLIANCE NOTE	6/17/13	D. DESJARDIN



**NOTES:**

1. RATING: CATEGORY 5E
2. COUPLER IS WIRED STRAIGHT THROUGH
3. JACKS CONFORM TO TIA-1096
4. HOUSING: ABS, UL94V-0 RATED, COLOR: BLACK
5. SHIELDING: NICKEL PLATED
6. CONTACT PLATING: 30μINCHES GOLD

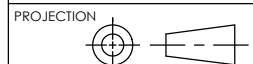
**7. COMPONENT SHALL BE INDIVIDUALLY PACKAGED IN ACCORDANCE WITH L-COM SPECIFICATION PS-0031.**

8. ALL DIMENSIONS ARE FOR REFERENCE ONLY.

**REGULATORY COMPLIANCE:**  
ROHS, CE

UNLESS OTHERWISE SPECIFIED,  
DIMENSIONS ARE IN INCHES [mm]  
OVERALL CABLE LENGTH TOLERANCE:  
≤12 [305] = +1 [25] / -0  
>12 [305] ≤60 [1524] = +2 [51] / -0  
>60 [1524] ≤120 [3048] = +4 [102] / -0  
>120 [3048] ≤300 [7620] = +6 [152] / -0  
>300 [7620] = +3% / -0%

ALL OTHER DIMENSIONAL TOLERANCES:  
.X = ±.2  
.XX = ±.05  
.XXX = ±.005



APPROVALS	DATE
DRAWN BY D. PARHAM	12/14/2009
CHECKED BY D. CASTRO	12/17/2009
APPROVED BY P. MCNEIL	12/17/2009

CONFIGURATION DETAILS OF UNDIMENSIONED FEATURES MAY VARY

COLOR VARIATIONS MAY OCCUR

**L-com** Global Connectivity 45 BEECHWOOD DRIVE NORTH ANDOVER, MA 01845

CATEGORY  
**TELECOM / MODULAR**

PRODUCT DESCRIPTION  
**CPLR RJ45 F-F CAT5E SHIELDED**

SIZE	FSCM NO.	DWG. NO.	REV.
<b>A</b>	<b>43321</b>	<b>TDG1026KCS-R5E</b>	<b>D</b>

SCALE: NONE CAD FILE: TDG1026KCS-R5E.SLDDRW SHEET 1 OF 1