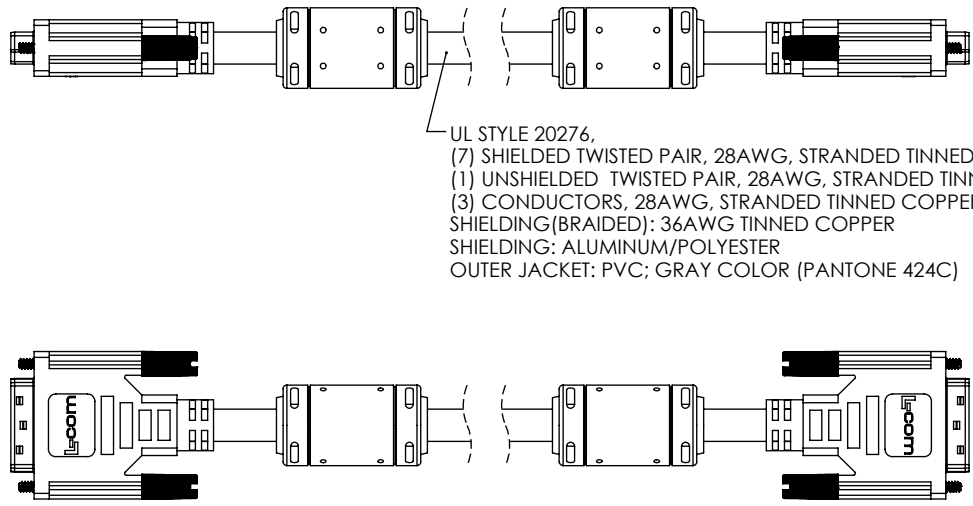
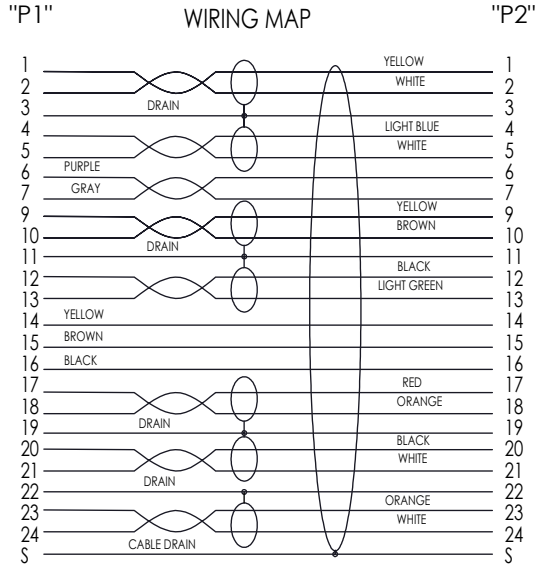
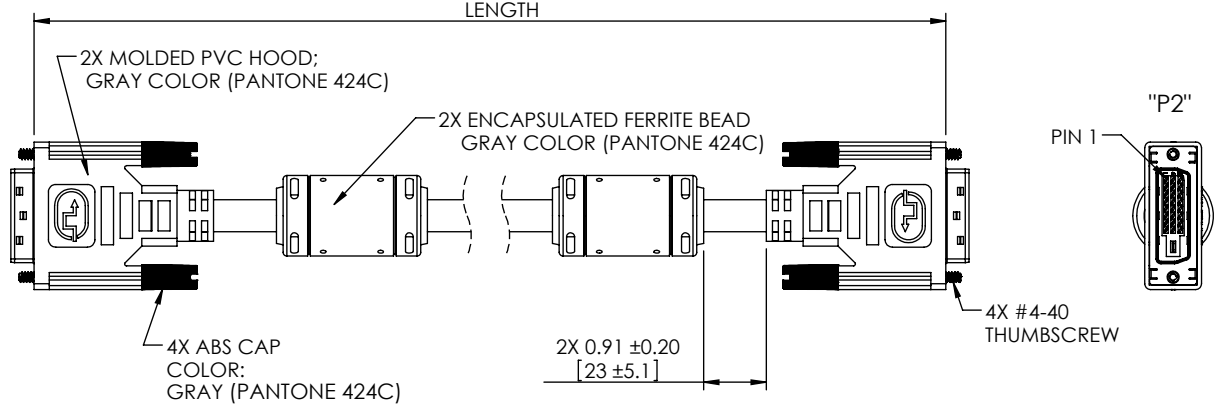
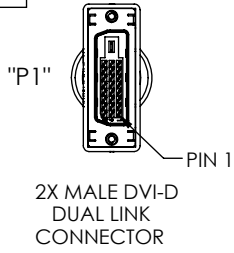


THE INFORMATION CONTAINED IN THIS DRAWING IS THE SOLE PROPERTY OF L-COM, INC. ANY REPRODUCTION IN PART OR WHOLE WITHOUT THE WRITTEN PERMISSION OF L-COM, INC. IS PROHIBITED.

RoHS Compliant ✓

REVISIONS			
REV	DESCRIPTION	DATE	APPROVED
G	ECN 5837: ADDED LOGO	11/15/11	D. CASTRO
-	-	-	-
-	-	-	-
-	-	-	-

P/N	LENGTH	
	FEET	METERS
CTLDVI-DL-MM-3	3.0	.92
CTLDVI-DL-MM-5	5.0	1.52
CTLDVI-DL-MM-10	10.0	3.05
CTLDVI-DL-MM-15	15.0	4.57



- NOTES:**
1. CABLES TO BE TESTED FOR CONTINUITY
 2. CABLES TO BE INDIVIDUALLY PACKAGED IN ACCORDANCE WITH L-COM SPEC. PS-0031
 3. DUST COVERS INSTALLED FOR SHIPPING (NOT SHOWN).

UNLESS OTHERWISE SPECIFIED, DIMENSIONS ARE IN INCHES [mm] OVERALL CABLE LENGTH TOLERANCE: ≤12 [305] = +1 [25] / -0 >12 [305] ≤60 [1524] = +2 [51] / -0 >60 [1524] ≤120 [3048] = +4 [102] / -0 >120 [3048] ≤300 [7620] = +6 [152] / -0 >300 [7620] = +3% / -0%	APPROVALS	DATE	L-com Global Connectivity 45 BEECHWOOD DRIVE NORTH ANDOVER, MA 01845
	DRAWN BY Bill_Zhang	10/15/08	
ALL OTHER DIMENSIONAL TOLERANCES: .X = ± .2 .XX = ± .02 .XXX = ± .005	CHECKED BY Frank_Mao	10/15/08	PRODUCT DESCRIPTION DVI-DL M/DVI-DL M W/FERRITE
	APPROVED BY Thomas_Lu	10/15/08	
PROJECTION 	CONFIGURATION DETAILS OF UNDIMENSIONED FEATURES MAY VARY	COLOR VARIATIONS MAY OCCUR	REF
SCALE: NONE		CAD FILE: CTLDVI-DL-MM.SLDDRW	SHEET 1 OF 1